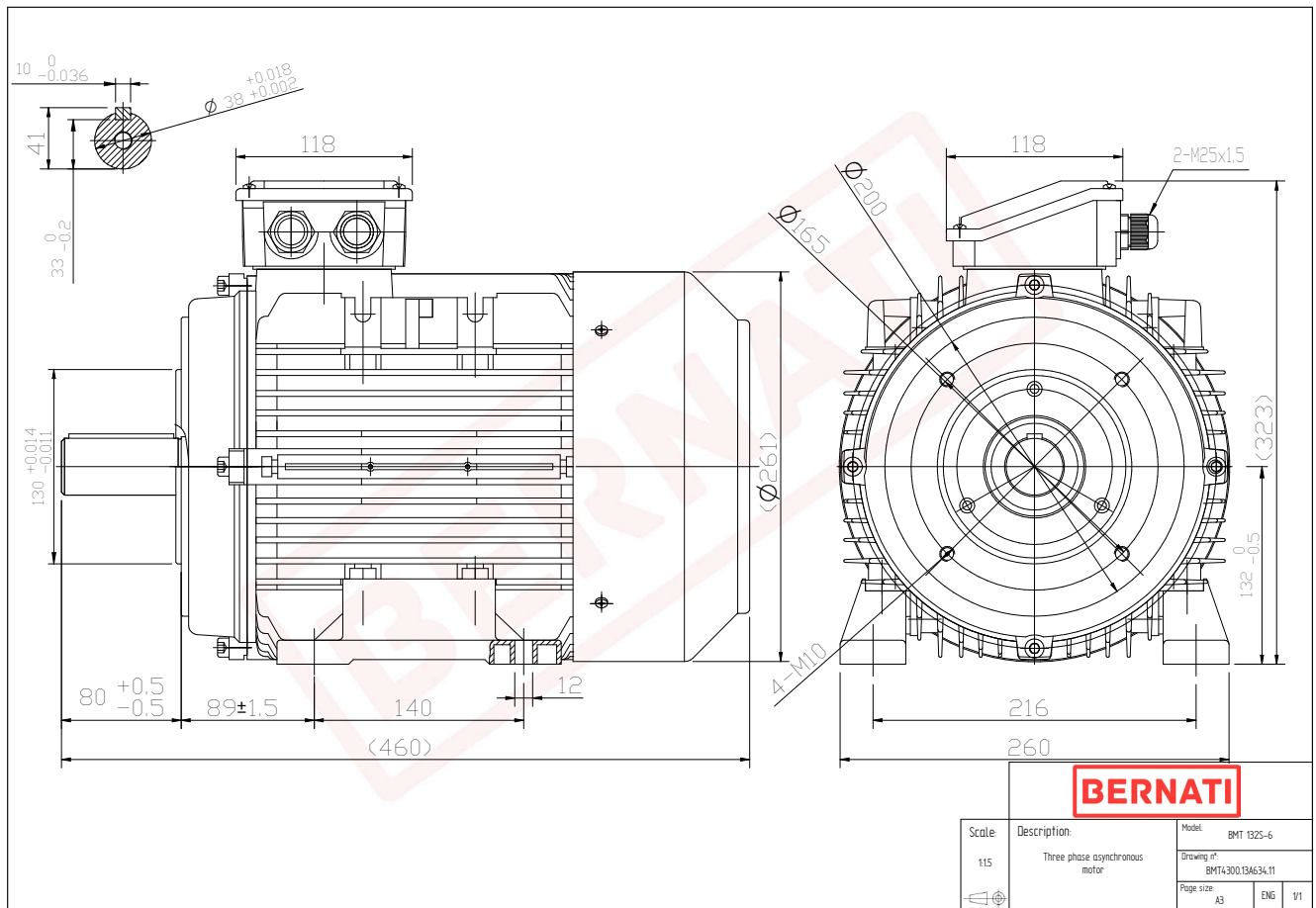


BMT Series - Aluminum frame three phase low voltage electric motor



BMT

Product Code	BMT4300.13A634.11
Motor Type/Frame	BMT 132S-6
Mounting	IM B3/B14
Efficiency Class	IE4
Output Power (kW)	3.00
Speed (rpm)	975
Tension (V)	230/400
Frequency (Hz)	50
Current (A)	6.90
Power factor (Cos Ø)	0.70
Poles	6
Insulation Class	F
IP Class	IP55
50% Efficiency	87.4
75% Efficiency	88.7
100% Efficiency	88.6
Torque (Nm)	30.60
Tstart / Tnominal	2.50
Istart / Inominal	7.10
Tmax / Tnominal	1.90
Noise (dB)	64
PTC Thermistor	PTC 130
Weight (Kg)	47
DE Bearing	6308 2RZ C3
NDE Bearing	6208 2RZ C3