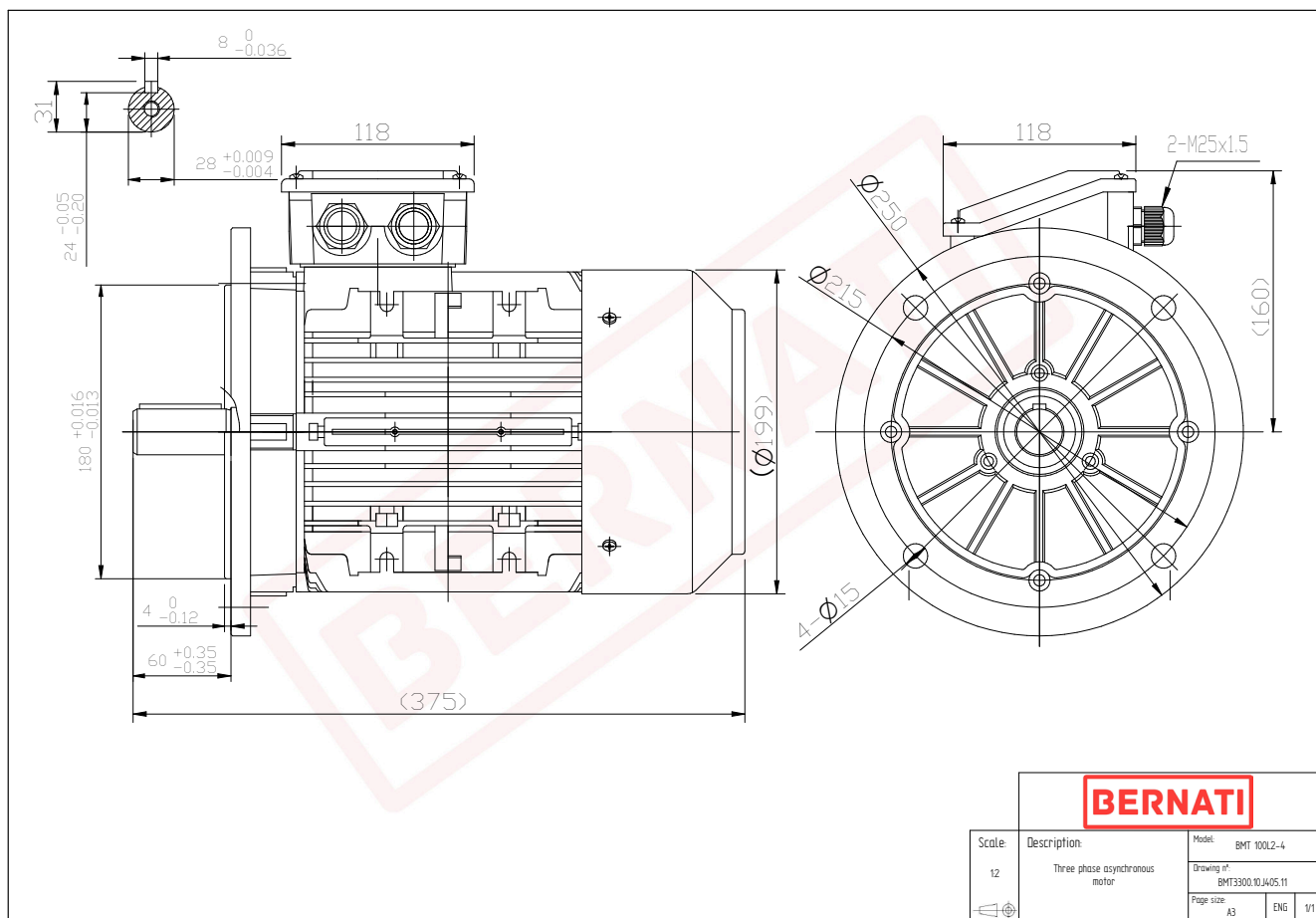


# Technical Datasheet

**BERNATI**

## BMT Series - Aluminum frame three phase low voltage electric motor



### BMT

Product Code	BMT3300.10J405.11
Motor Type/Frame	BMT 100L2-4
Mounting	IM B5
Efficiency Class	IE3
Output Power (kW)	3.00
Speed (rpm)	1450
Tension (V)	230/400
Frequency (Hz)	50
Current (A)	6.33
Power factor (Cos Ø)	0.78
Poles	4
Insulation Class	F
IP Class	IP55
50% Efficiency	86.9
75% Efficiency	88.0
100% Efficiency	87.7
Torque (Nm)	19.76
Tstart / Tnominal	3.30
Istart / Inominal	8.10
Tmax / Tnominal	3.40
Noise (dB)	64
PTC Thermistor	PTC 130
Weight (Kg)	28
DE Bearing	6206 2RZ C3
NDE Bearing	6206 2RZ C3