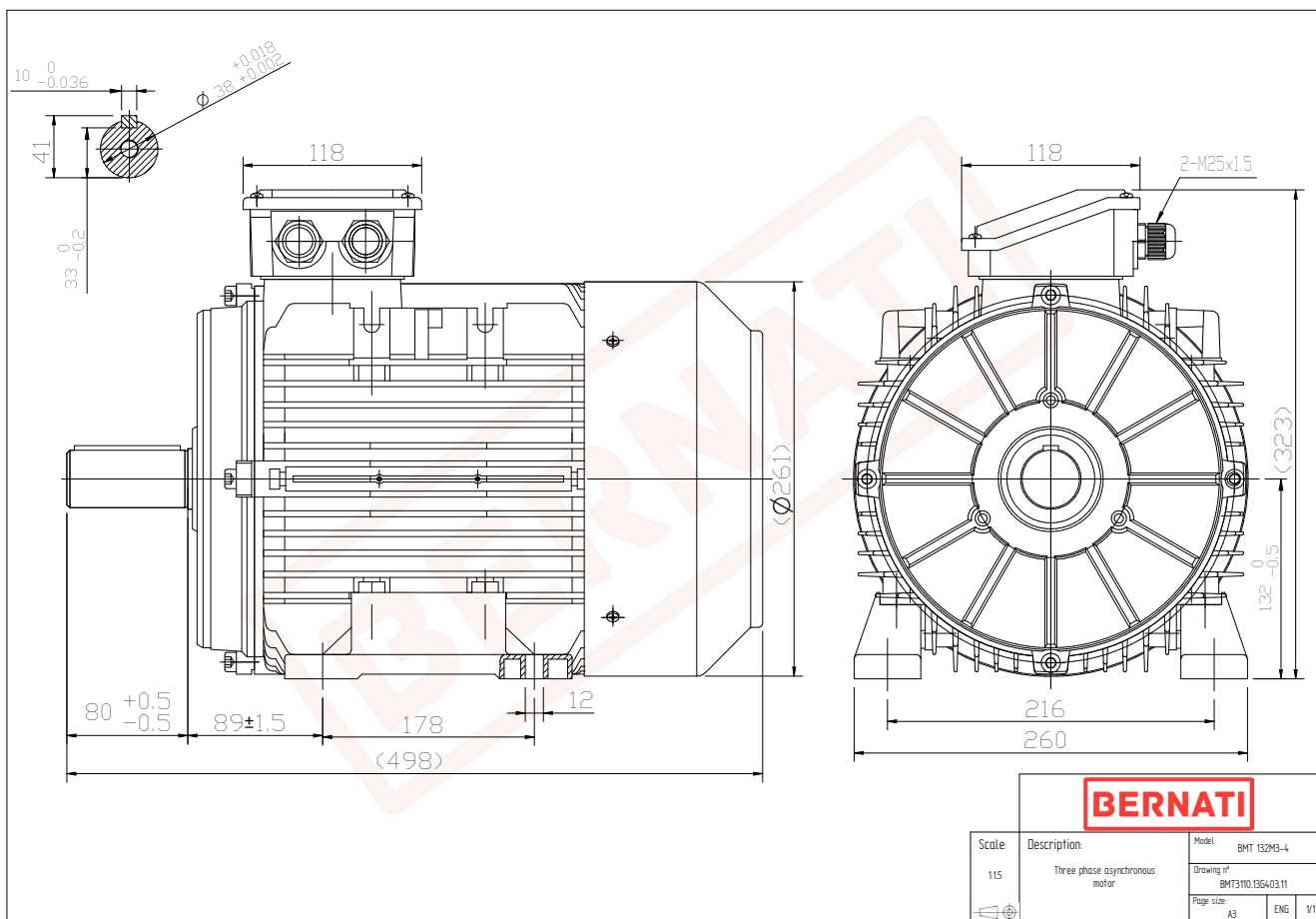


# Technical Datasheet

**BERNATI**

## BMT Series - Aluminum frame three phase low voltage electric motor



### BMT

Product Code	BMT3110.13G403.11
Motor Type/Frame	BMT 132M3-4
Mounting	IM B3
Efficiency Class	IE3
Output Power (kW)	11.00
Speed (rpm)	1460
Tension (V)	230/400
Frequency (Hz)	50
Current (A)	20.68
Power factor (Cos Ø)	0.84
Poles	4
Insulation Class	F
IP Class	IP55
50% Efficiency	91.6
75% Efficiency	92.0
100% Efficiency	91.4
Torque (Nm)	71.95
Tstart / Tnominal	3.50
Istart / Inominal	10.50
Tmax / Tnominal	3.70
Noise (dB)	75
PTC Thermistor	PTC 130
Weight (Kg)	67
DE Bearing	6308 2RZ C3
NDE Bearing	6208 2RZ C3