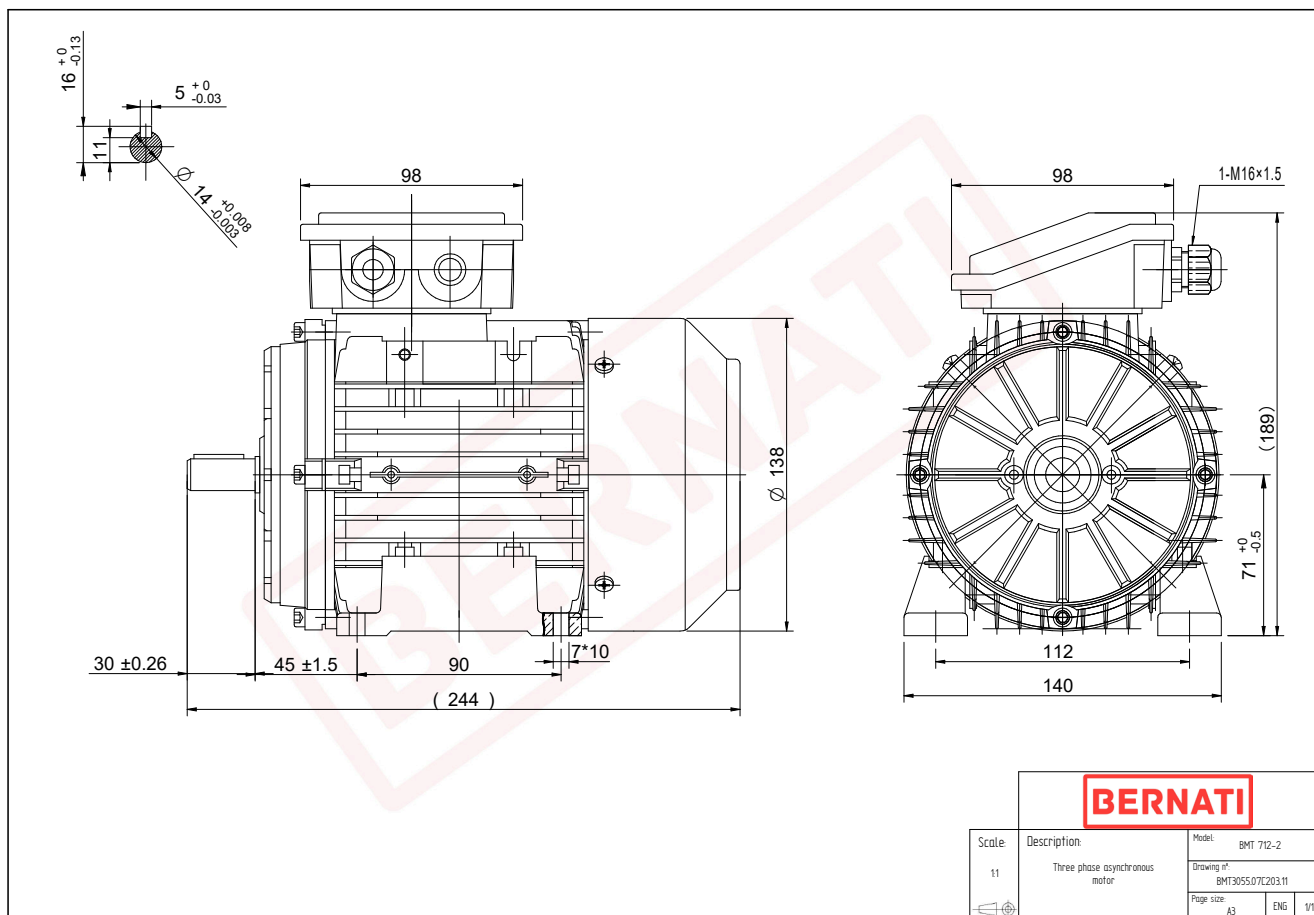


# Technical Datasheet

**BERNATI**

## BMT Series - Aluminum frame three phase low voltage electric motor



<b>BMT</b>	
Product Code	BMT3055.07C203.11
Motor Type/Frame	BMT 712-2
Mounting	IM B3
Efficiency Class	IE3
Output Power (kW)	0.55
Speed (rpm)	2860
Tension (V)	230/400
Frequency (Hz)	50
Current (A)	1.28
Power factor (Cos Ø)	0.80
Poles	2
Insulation Class	F
IP Class	IP55
50% Efficiency	56.2
75% Efficiency	63.5
100% Efficiency	77.8
Torque (Nm)	1.84
Tstart / Tnominal	3.10
Istart / Inominal	6.50
Tmax / Tnominal	3.10
Noise (dB)	64
PTC Thermistor	PTC 130
Weight (Kg)	6
DE Bearing	6202 2RZ C3
NDE Bearing	6202 2RZ C3