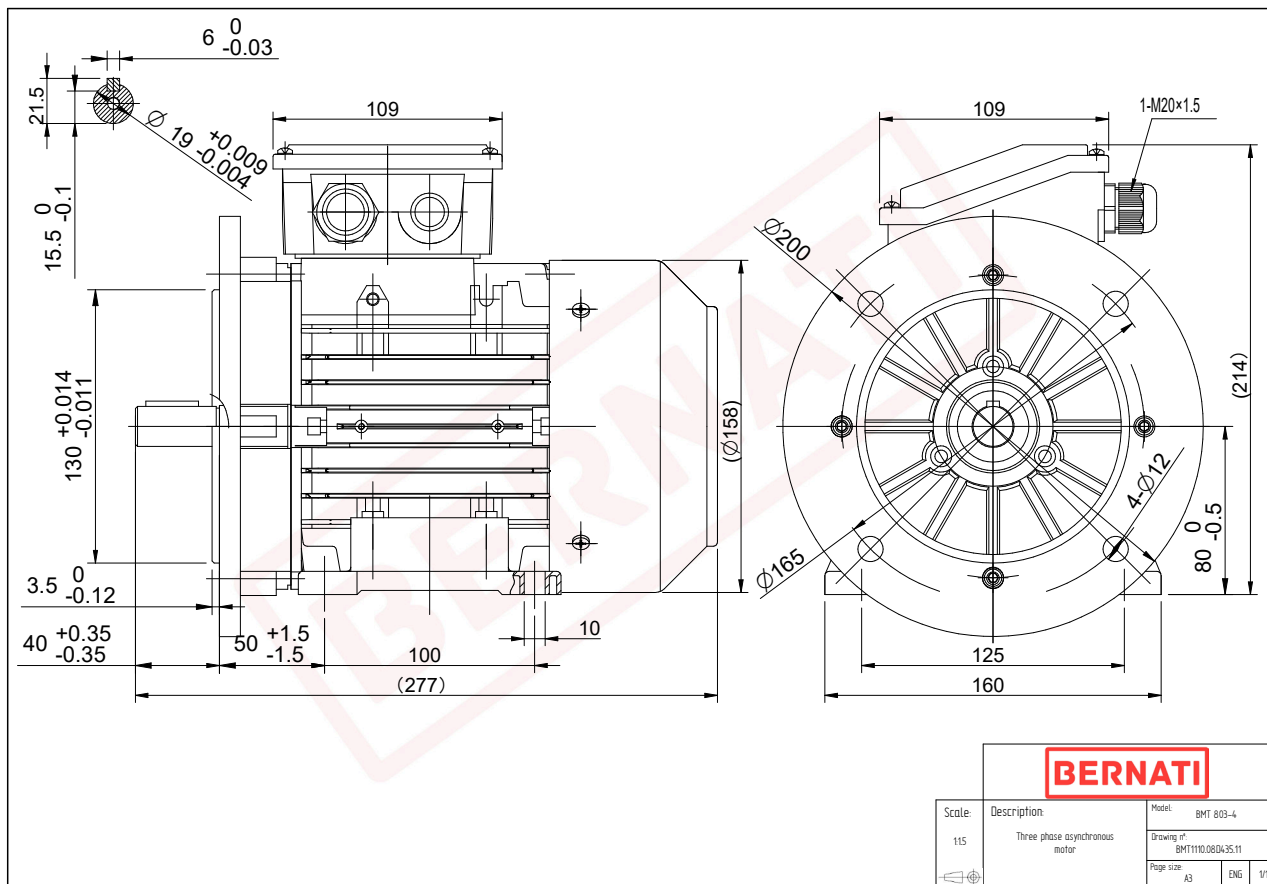


Technical Datasheet

BERNATI

BMT Series - Aluminum frame three phase low voltage electric motor



BMT	
Product Code	BMT1110.08D435.11
Motor Type/Frame	BMT 803-4
Mounting	IM B3/B5
Efficiency Class	IE1
Output Power (kW)	1.10
Speed (rpm)	1390
Tension (V)	230/400
Frequency (Hz)	50
Current (A)	2.70
Power factor (Cos Ø)	0.76
Poles	4
Insulation Class	F
IP Class	IP55
50% Efficiency	77.4
75% Efficiency	79.0
100% Efficiency	77.5
Torque (Nm)	7.60
Tstart / Tnominal	2.30
Istart / Inominal	5.00
Tmax / Tnominal	2.40
Noise (dB)	61
PTC Thermistor	N/A
Weight (Kg)	11
DE Bearing	6204 2RZ C3
NDE Bearing	6204 2RZ C3