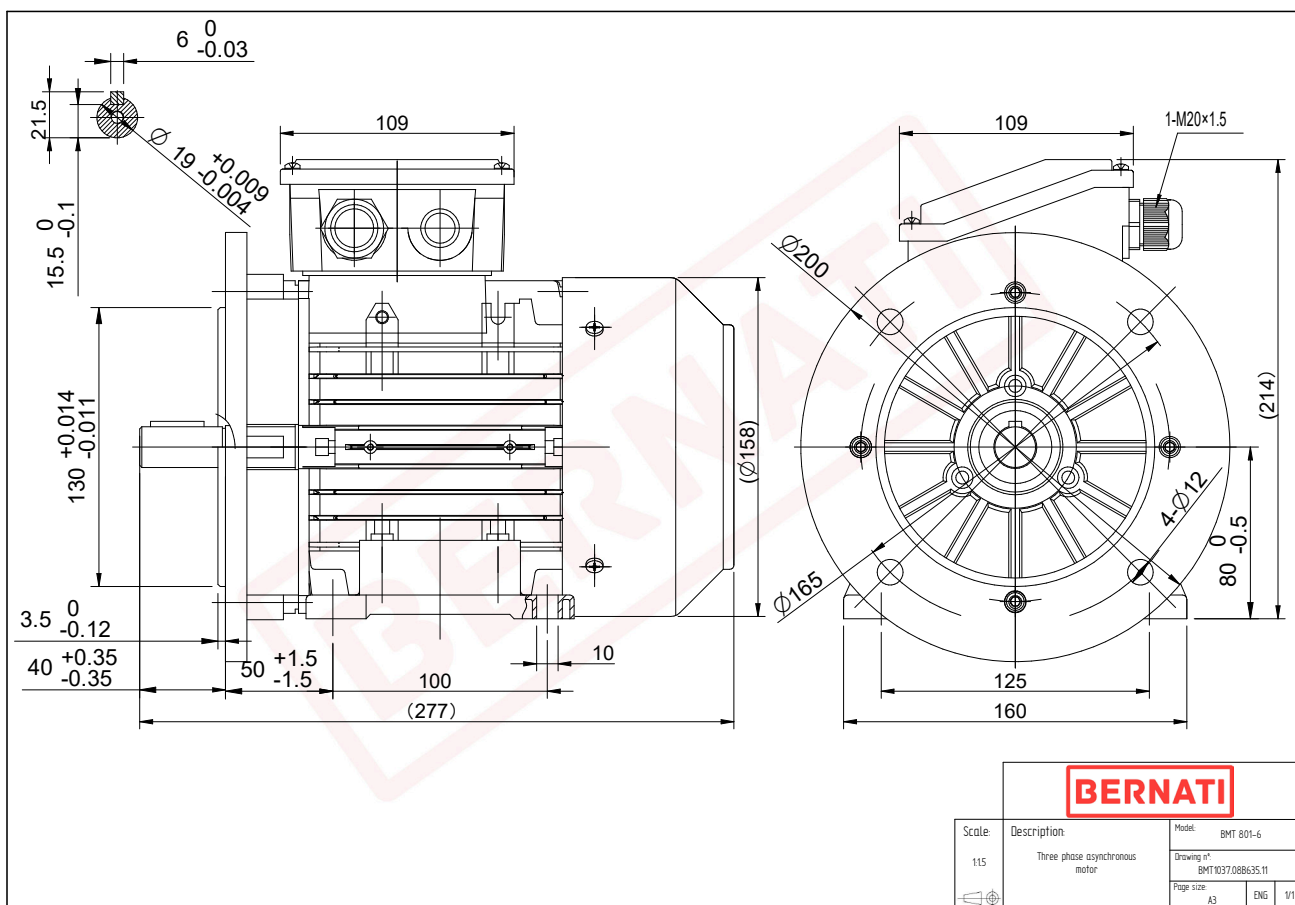


Technical Datasheet



BMT Series - Aluminum frame three phase low voltage electric motor



BMT

Product Code	BMT1037.08B635.11
Motor Type/Frame	BMT 801-6
Mounting	IM B3/B5
Efficiency Class	IE1
Output Power (kW)	0.37
Speed (rpm)	910
Tension (V)	230/400
Frequency (Hz)	50
Current (A)	1.33
Power factor (Cos Ø)	0.66
Poles	6
Insulation Class	F
IP Class	IP55
50% Efficiency	50.7
75% Efficiency	58.6
100% Efficiency	61.0
Torque (Nm)	3.90
Tstart / Tnominal	1.90
Istart / Inominal	3.20
Tmax / Tnominal	2.20
Noise (dB)	56
PTC Thermistor	N/A
Weight (Kg)	8
DE Bearing	6204 2RZ C3
NDE Bearing	6204 2RZ C3