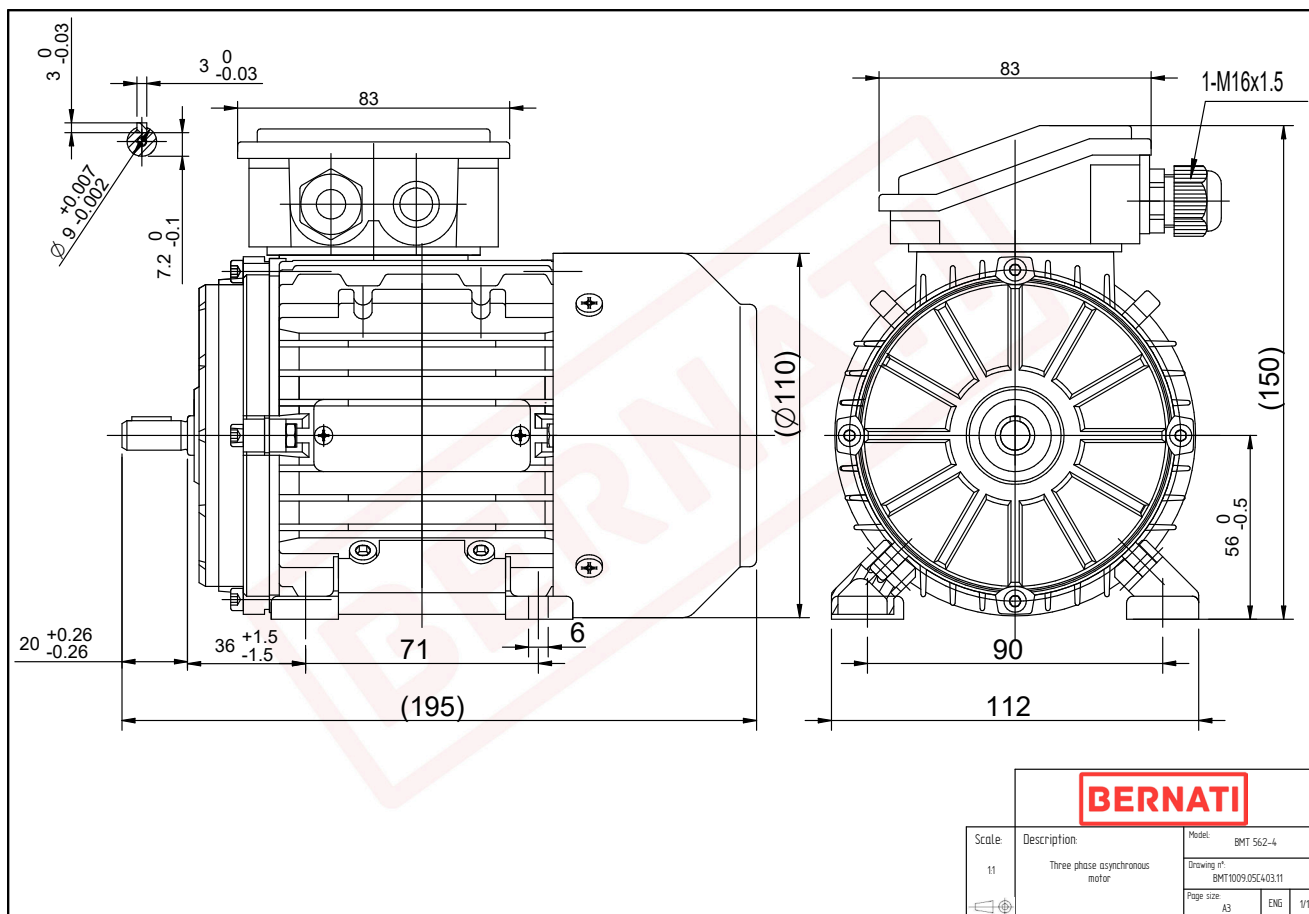


# Technical Datasheet

**BERNATI**

BMT Series - Aluminum frame three phase low voltage electric motor



## BMT

Product Code	BMT1009.05C403.11
Motor Type/Frame	BMT 562-4
Mounting	IM B3
Efficiency Class	IE1
Output Power (kW)	0.09
Speed (rpm)	1400
Tension (V)	230/400
Frequency (Hz)	50
Current (A)	0.39
Power factor (Cos Ø)	0.59
Poles	4
Insulation Class	F
IP Class	IP55
50% Efficiency	43.1
75% Efficiency	51.7
100% Efficiency	56.2
Torque (Nm)	0.60
Tstart / Tnominal	2.30
Istart / Inominal	3.10
Tmax / Tnominal	2.50
Noise (dB)	50
PTC Thermistor	N/A
Weight (Kg)	3
DE Bearing	6201 2RZ C3
NDE Bearing	6201 2RZ C3