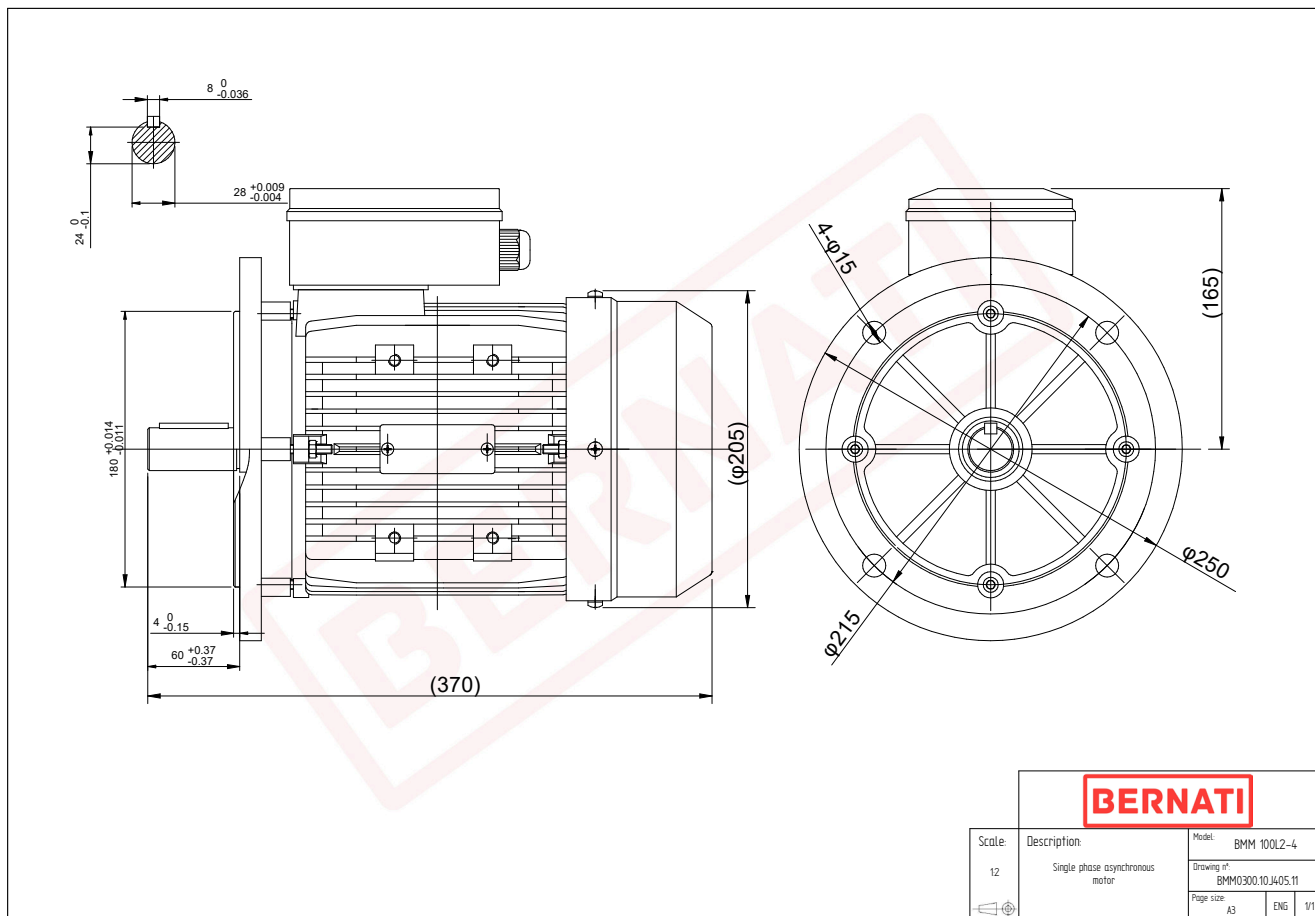


Technical Datasheet

BERNATI

BMM Series - Aluminum frame single phase electric motor



BMM

Product Code	BMM0300.10J405.11
Motor Type/Frame	BMM 100L2-4
Mounting	IM B5
Output Power (kW)	3.00
Speed (rpm)	1450
Tension (V)	230
Frequency (Hz)	50
Current (A)	16.80
Power factor (Cos Ø)	1.00
Poles	4
Insulation Class	F
IP Class	IP55
100% Efficiency	81.0
Torque (Nm)	19.80
Tstart / Tnominal	0.30
Istart / Inominal	5.50
Tmax / Tnominal	1.80
Noise (dB)	78
PTC Thermistor	N/A
Weight (Kg)	29
DE Bearing	6206 2RZ C3
NDE Bearing	6206 2RZ C3