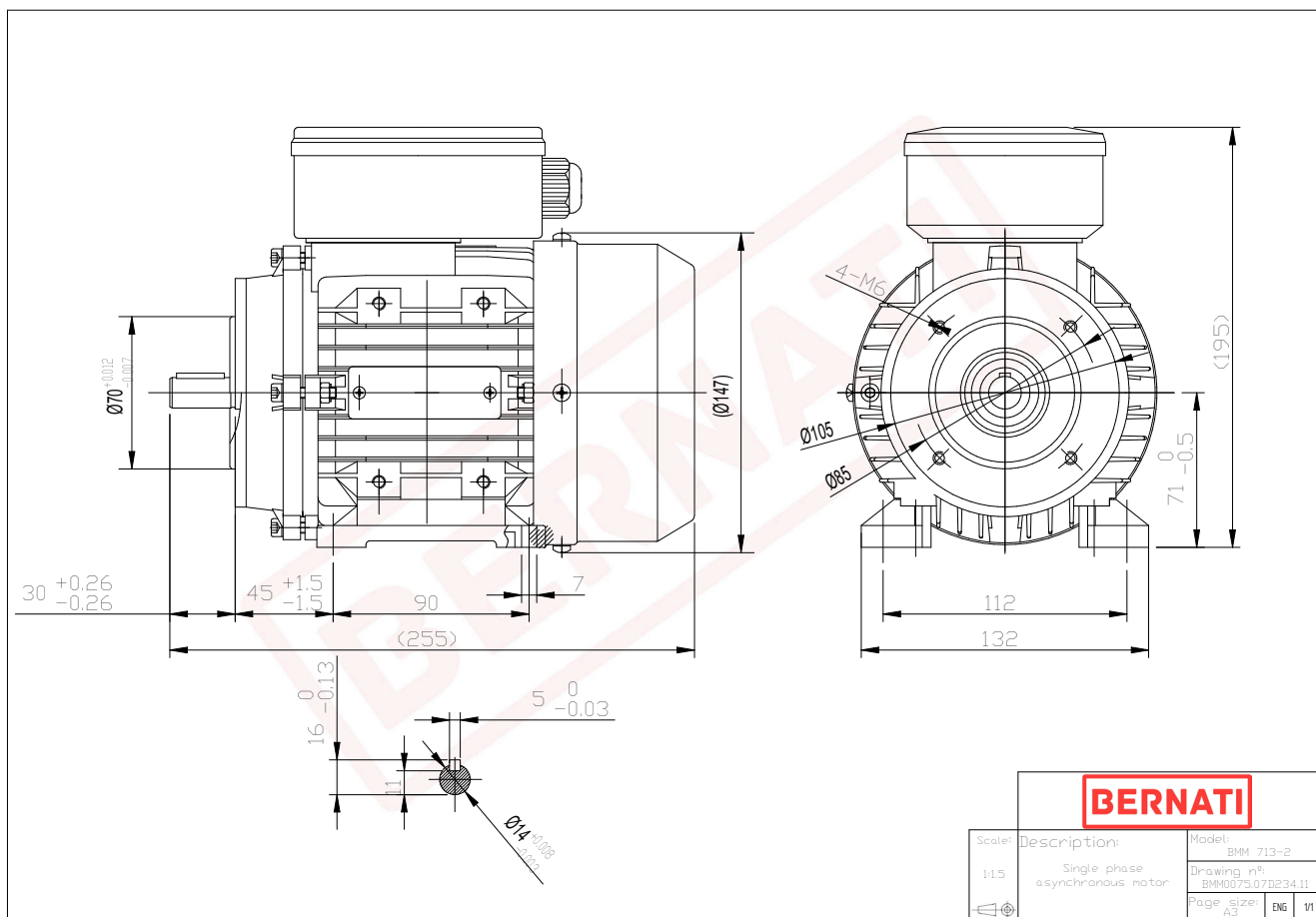


Technical Datasheet

BERNATI

BMM Series - Aluminum frame single phase electric motor



BMM

Product Code	BMM0075.07D234.11
Motor Type/Frame	BMM 713-2
Mounting	IM B3/B14
Output Power (kW)	0.75
Speed (rpm)	2840
Tension (V)	230
Frequency (Hz)	50
Current (A)	4.50
Power factor (Cos Ø)	1.00
Poles	2
Insulation Class	F
IP Class	IP55
100% Efficiency	75.5
Torque (Nm)	2.50
Tstart / Tnominal	0.50
Istart / Inominal	4.50
Tmax / Tnominal	1.80
Noise (dB)	75
PTC Thermistor	N/A
Weight (Kg)	8
DE Bearing	6202 2RZ C3
NDE Bearing	6202 2RZ C3