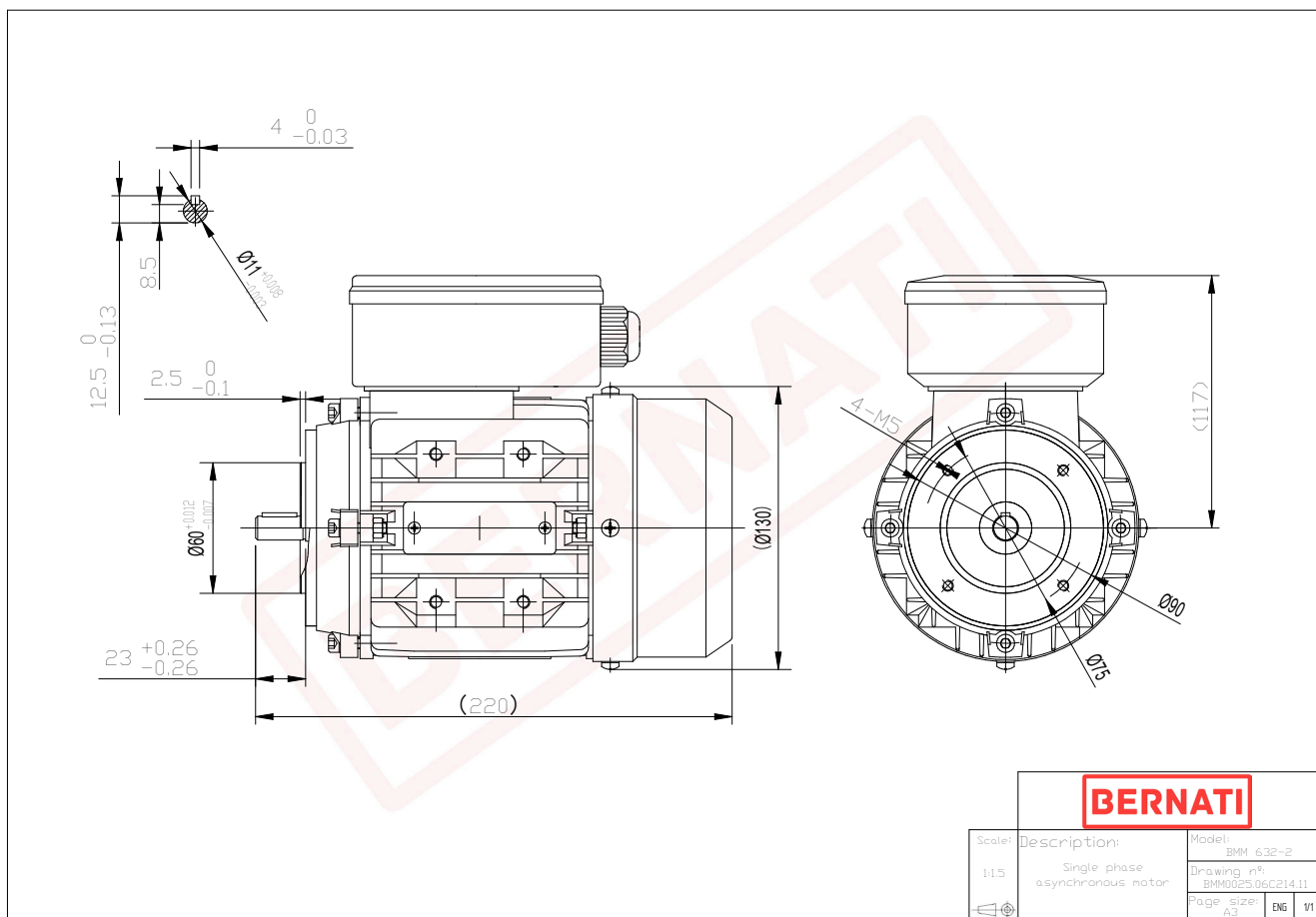


Technical Datasheet

BERNATI

BMM Series - Aluminum frame single phase electric motor



BMM

Product Code	BMM0025.06C214.11
Motor Type/Frame	BMM 632-2
Mounting	IM B14
Output Power (kW)	0.25
Speed (rpm)	2780
Tension (V)	230
Frequency (Hz)	50
Current (A)	1.70
Power factor (Cos Ø)	1.00
Poles	2
Insulation Class	F
IP Class	IP55
100% Efficiency	68.0
Torque (Nm)	0.90
Tstart / Tnominal	0.60
Istart / Inominal	3.50
Tmax / Tnominal	1.80
Noise (dB)	70
PTC Thermistor	N/A
Weight (Kg)	5
DE Bearing	6201 2RZ C3
NDE Bearing	6201 2RZ C3