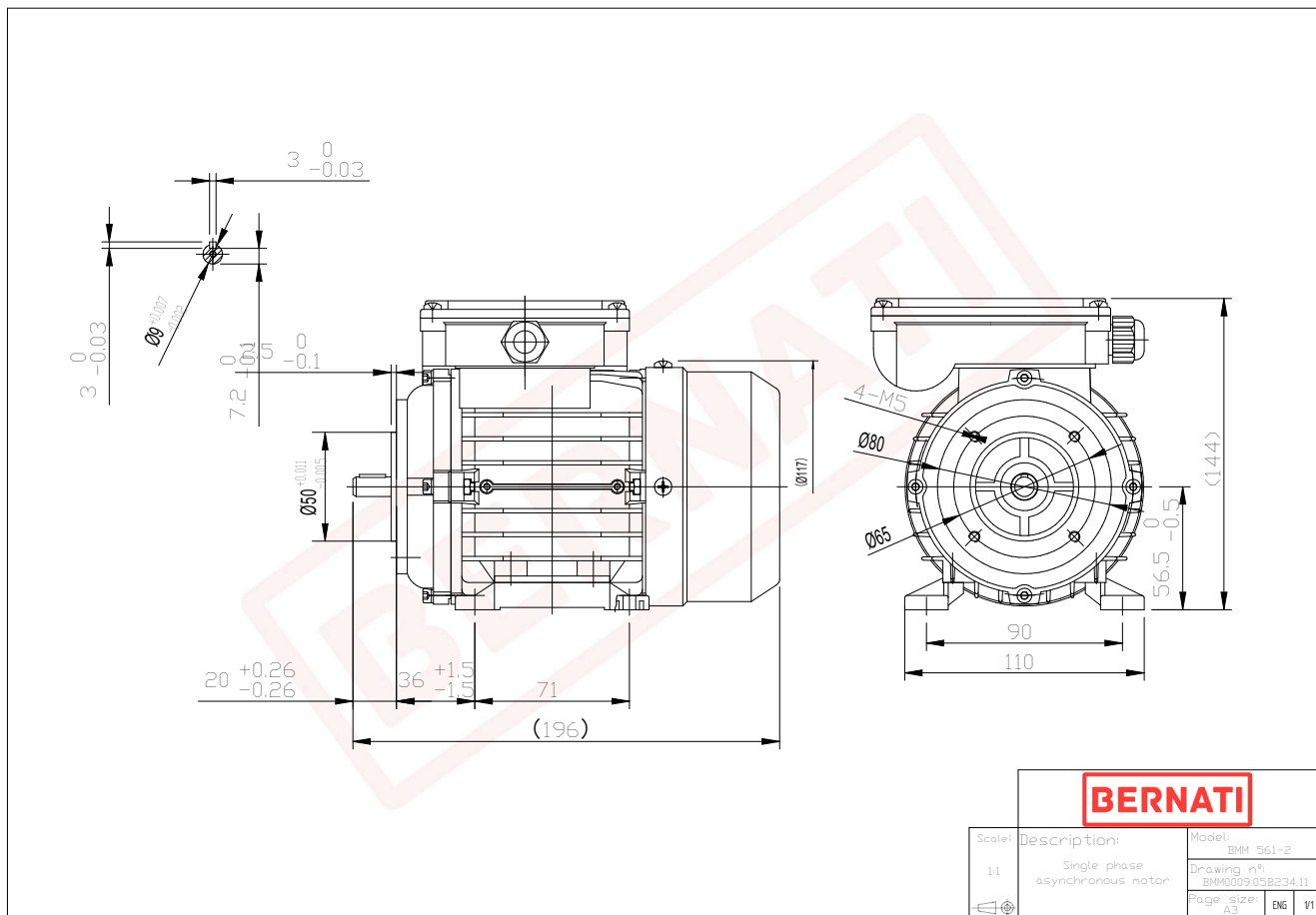


# Technical Datasheet

**BERNATI**

## BMM Series - Aluminum frame single phase electric motor



<b>BMM</b>	
Product Code	BMM0009.05B234.11
Motor Type/Frame	BMM 561-2
Mounting	IM B3/B14
Output Power (kW)	0.09
Speed (rpm)	2750
Tension (V)	230
Frequency (Hz)	50
Current (A)	0.80
Power factor (Cos Ø)	1.00
Poles	2
Insulation Class	F
IP Class	IP55
100% Efficiency	51.0
Torque (Nm)	0.30
Tstart / Tnominal	0.70
Istart / Inominal	2.40
Tmax / Tnominal	1.70
Noise (dB)	67
PTC Thermistor	N/A
Weight (Kg)	3
DE Bearing	6201 2RZ C3
NDE Bearing	6201 2RZ C3