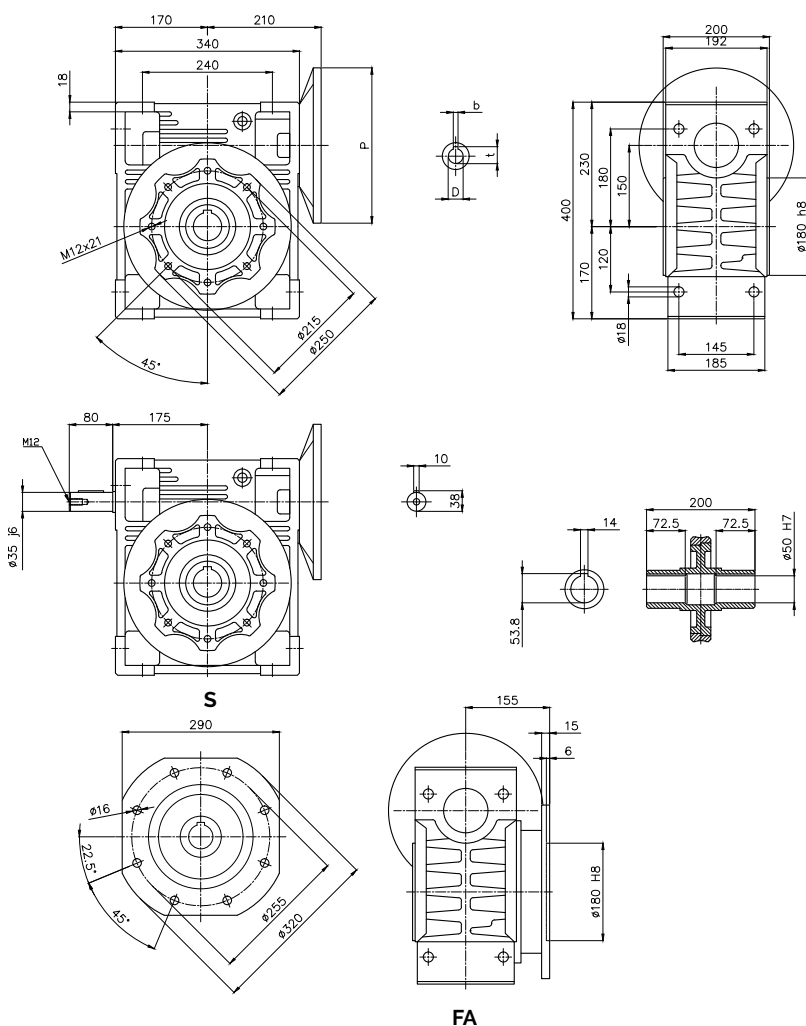


# Data Sheet

## BG Series - BG Type - BG 150

Type	i-ratio	n2 r/min	Kw=P1	Nm=T2	f.s.	PAM IEC	
<b>BG 150</b>	7.5	186.7	15	680	1.6	160	B5
	10	140.0	15	905	1.2	160	B5
	15	93.3	15	1310	0.9	160	B5
	20	70.0	11	1270	1.0	160	B5
	25	56.0	11	1520	0.8	160	B5
	30	46.7	7.50	1240	0.8	132	B5
	40	35.0	7.50	1560	0.9	132	B5
	50	28.0	5.50	1405	0.9	132	B5
	60	23.3	5.50	1610	0.8	132	B5
	80	17.5	4	1430	0.8	112/100	B5
	100	14.0	3	1300	0.8	112/100	B5



Gearbox Dimensions

PAM IEC	P	D <sub>EB</sub>	b	t
<b>160B5</b>	350	42	12	45.3
<b>132B5</b>	300	38	10	41.3
<b>112B5</b>	250	28	8	31.3
<b>100B5</b>	250	28	8	31.3

Gearbox weight: 84kg