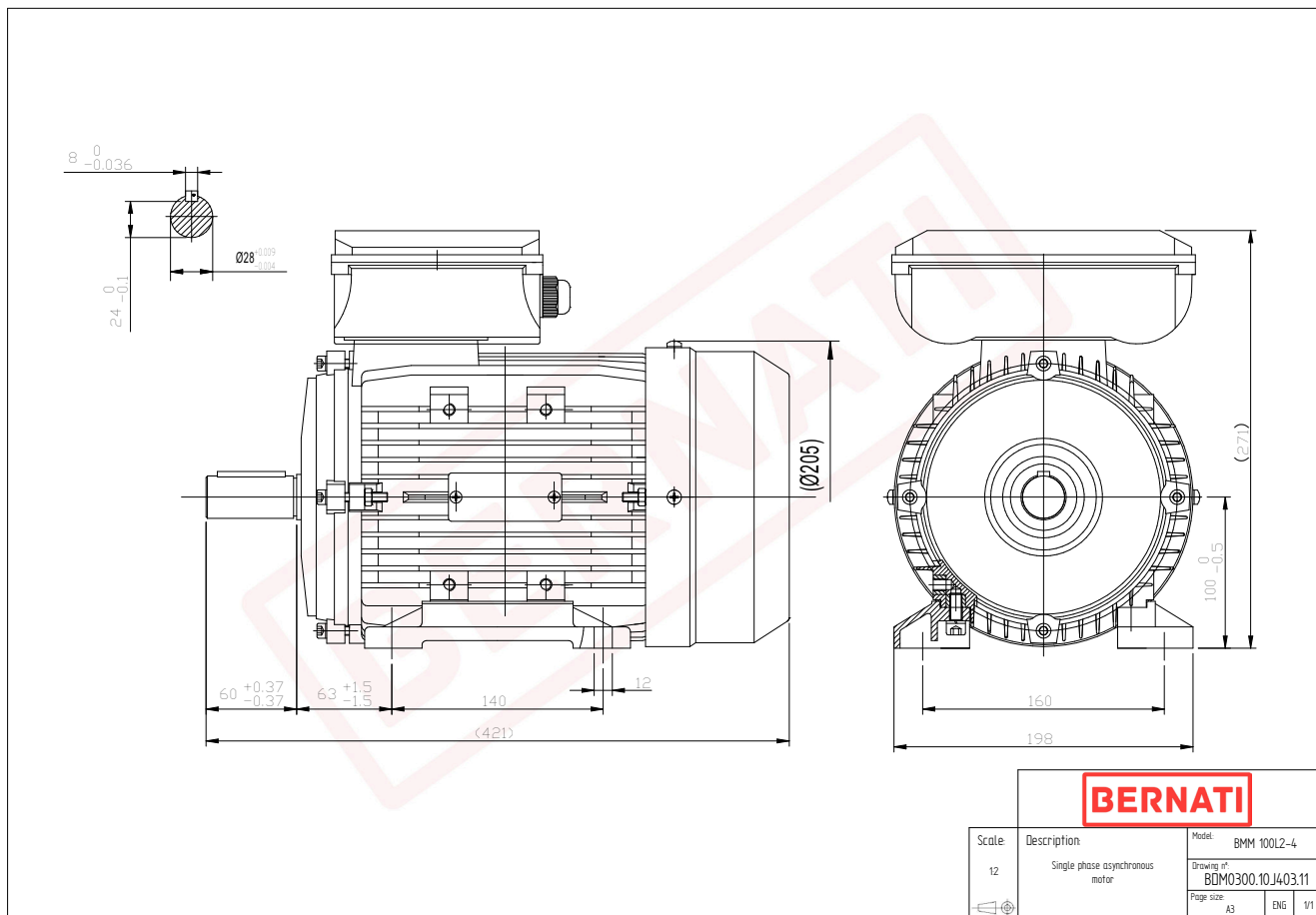


# Technical Datasheet

**BERNATI**

BDM Series - Aluminum frame dual capacitor single phase electric motor



<b>BDM</b>	
Product Code	BDM0300.10J403.11
Motor Type/Frame	BDM 100L2-4
Mounting	IM B3
Output Power (kW)	3.00
Speed (rpm)	1445
Tension (V)	230
Frequency (Hz)	50
Current (A)	16.40
Power factor (Cos Ø)	1.00
Poles	4
Insulation Class	F
IP Class	IP55
100% Efficiency	83.0
Torque (Nm)	19.80
Tstart / Tnominal	2.40
Istart / Inominal	6.70
Tmax / Tnominal	1.80
Noise (dB)	78
PTC Thermistor	N/A
Weight (Kg)	29
DE Bearing	6206 2RZ C3
NDE Bearing	6206 2RZ C3