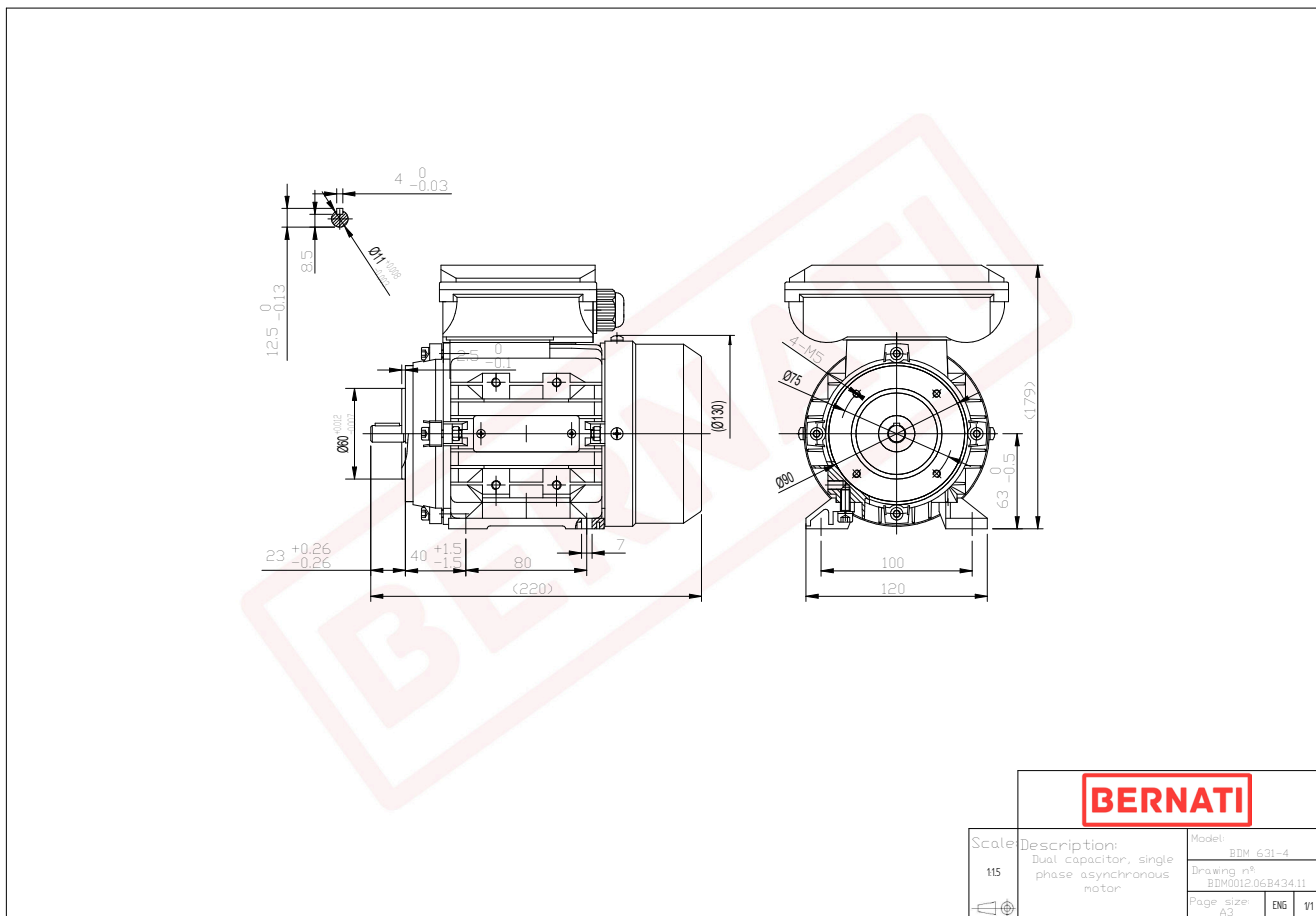


Technical Datasheet

BERNATI

BDM Series - Aluminum frame dual capacitor single phase electric motor



BDM	
Product Code	BDM0012.06B434.11
Motor Type/Frame	BDM 631-4
Mounting	IM B3/B14
Output Power (kW)	0.12
Speed (rpm)	1380
Tension (V)	230
Frequency (Hz)	50
Current (A)	1.10
Power factor (Cos Ø)	1.00
Poles	4
Insulation Class	F
IP Class	IP55
100% Efficiency	54.5
Torque (Nm)	0.80
Tstart / Tnominal	2.50
Istart / Inominal	5.50
Tmax / Tnominal	1.70
Noise (dB)	65
PTC Thermistor	N/A
Weight (Kg)	4
DE Bearing	6201 2RZ C3
NDE Bearing	6201 2RZ C3