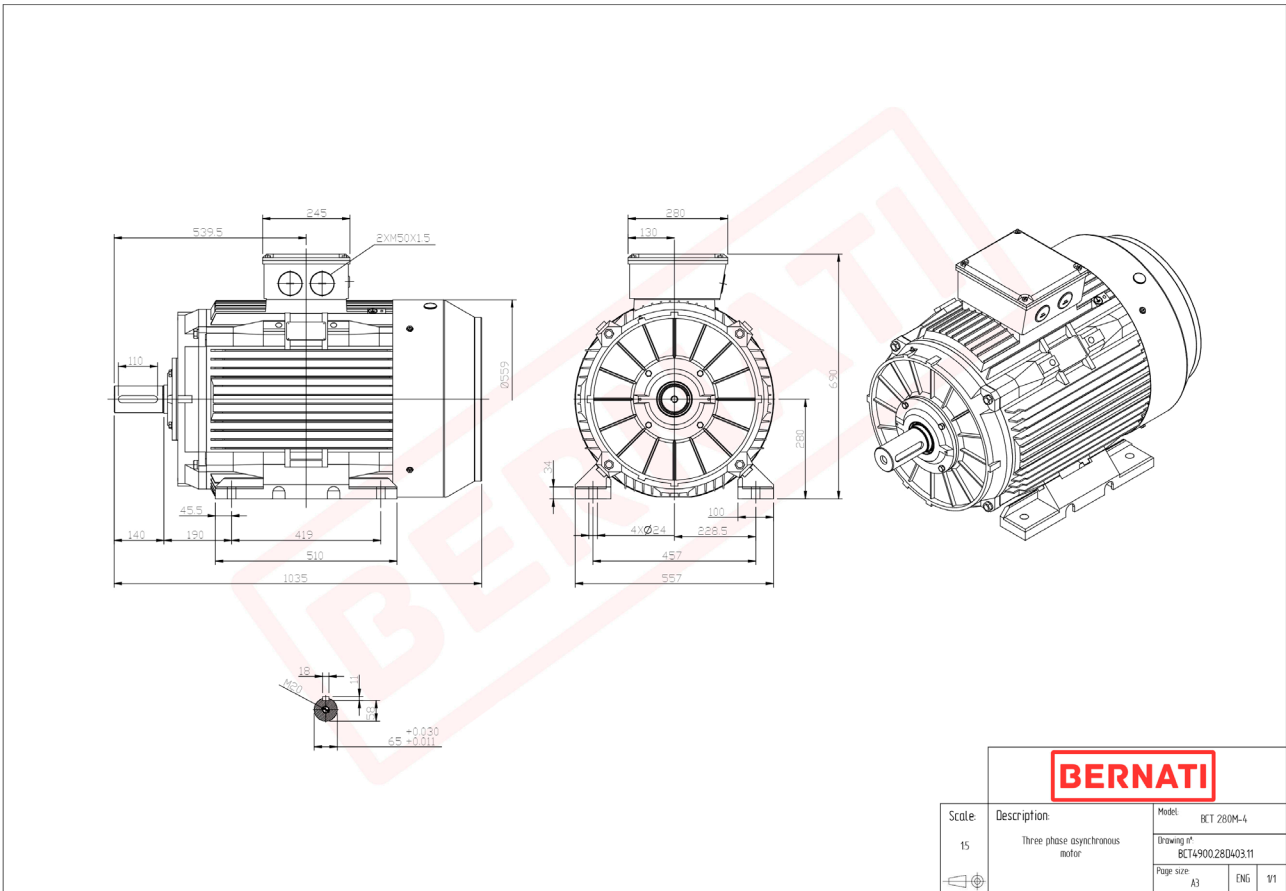


Technical Datasheet



BCT Series - Cast iron frame three phase low voltage electric motor



Scale	Description	Model
1:5	Three phase asynchronous motor	BCT 280M-4
		Drawing n°
		BCT4900.28D403.11
		Page size
		A3
		ENG
		1/1

BCT	
Product Code	BCT4900.28D403.11
Motor Type/Frame	BCT 280M-4
Mounting	IM B3
Efficiency Class	IE4
Output Power (kW)	90.00
Speed (rpm)	1485
Tension (V)	230/400
Frequency (Hz)	50
Current (A)	153.60
Power factor (Cos Ø)	0.90
Poles	4
Insulation Class	F
IP Class	IP55
50% Efficiency	95.8
75% Efficiency	96.1
100% Efficiency	96.1
Torque (Nm)	579.0
Tstart / Tnominal	2.00
Istart / Inominal	8.50
Tmax / Tnominal	2.30
Noise (dB)	80
PTC Thermistor	PTC 130
Weight (Kg)	714
DE Bearing	6316 C3
NDE Bearing	6316 C3