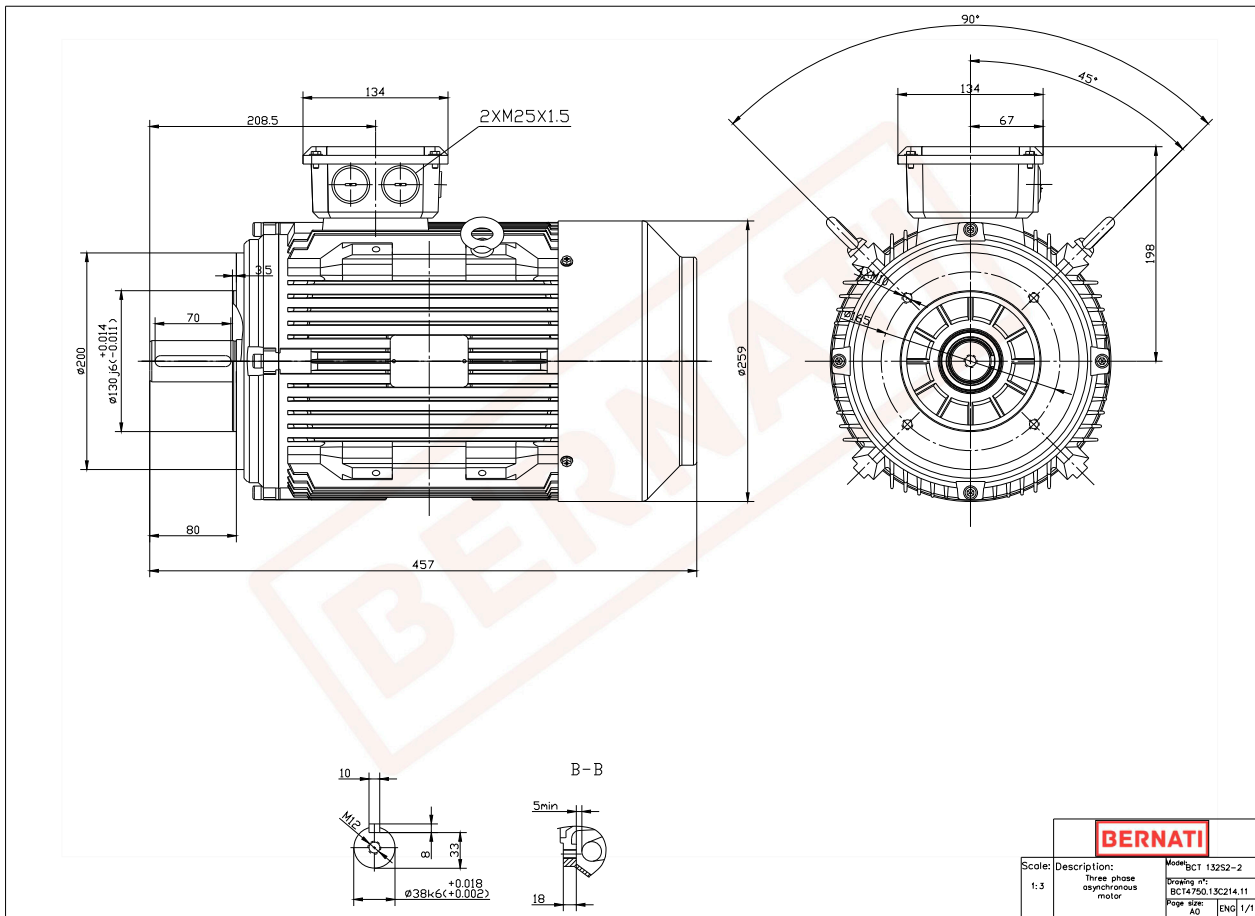


BCT Series - Cast iron frame three phase low voltage electric motor



BERNATI	
Scale: 1:3	Description: Three phase asynchronous motor
Model: BCT 132S2-2	Drawing n°: BCT4750.13C214.11
Page size: A0	ENG 1/1

BCT	
Product Code	BCT4750.13C214.11
Motor Type/Frame	BCT 132S2-2
Mounting	IM B14
Efficiency Class	IE4
Output Power (kW)	7.50
Speed (rpm)	2950
Tension (V)	230/400
Frequency (Hz)	50
Current (A)	13.30
Power factor (Cos ϕ)	0.90
Poles	2
Insulation Class	F
IP Class	IP55
50% Efficiency	91.5
75% Efficiency	92.0
100% Efficiency	91.7
Torque (Nm)	24.30
T _{start} / T _{nominal}	2.00
I _{start} / I _{nominal}	9.50
T _{max} / T _{nominal}	2.30
Noise (dB)	79
PTC Thermistor	PTC 130
Weight (Kg)	72
DE Bearing	6308 2RZ C3
NDE Bearing	6308 2RZ C3