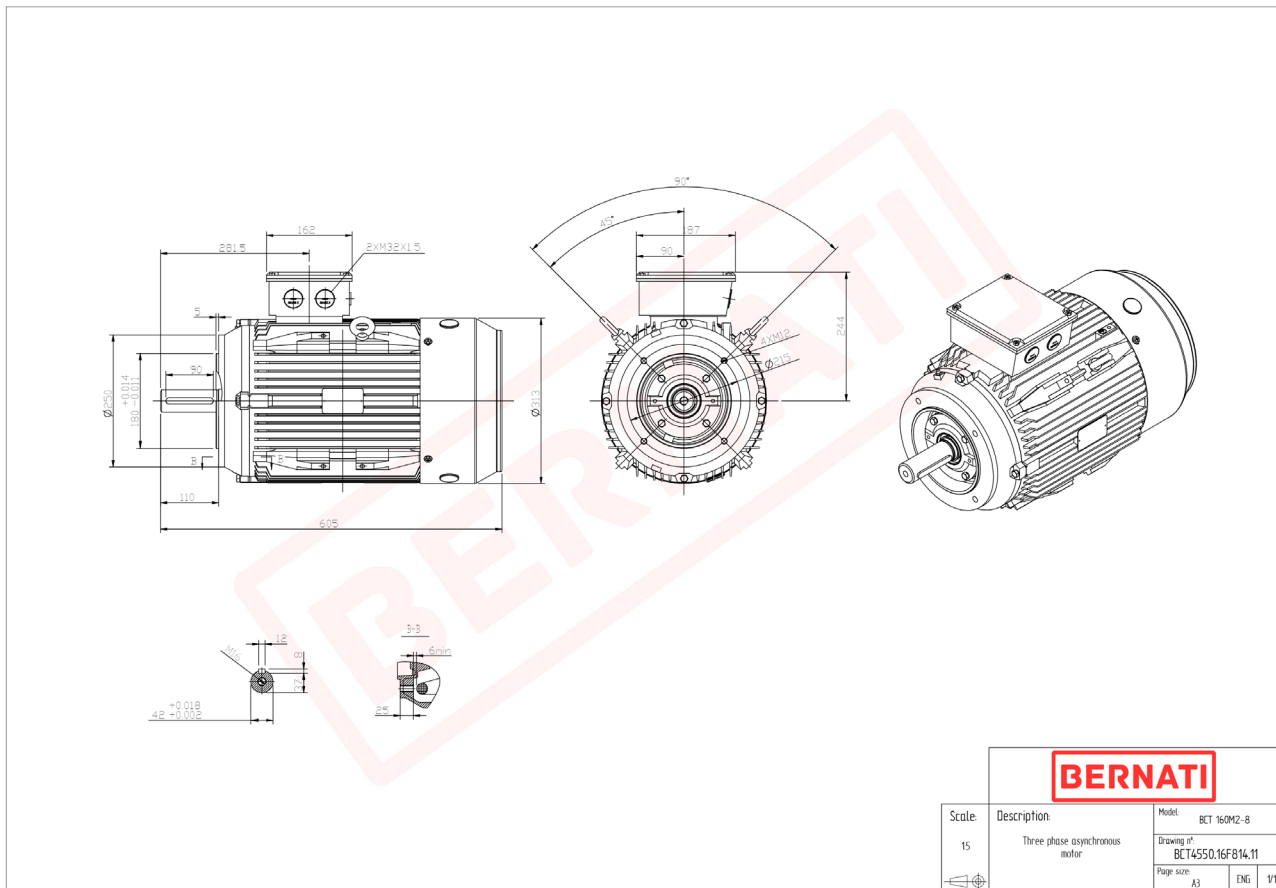


Technical Datasheet

BERNATI

BCT Series - Cast iron frame three phase low voltage electric motor



BCT

Product Code	BCT4550.16F814.11
Motor Type/Frame	BCT 160M2-8
Mounting	IM B14
Efficiency Class	IE4
Output Power (kW)	5.50
Speed (rpm)	730
Tension (V)	230/400
Frequency (Hz)	50
Current (A)	12.50
Power factor (Cos Ø)	0.70
Poles	8
Insulation Class	F
IP Class	IP55
50% Efficiency	88.2
75% Efficiency	88.5
100% Efficiency	88.3
Torque (Nm)	72.00
Tstart / Tnominal	1.80
Istart / Inominal	8.10
Tmax / Tnominal	2.00
Noise (dB)	68
PTC Thermistor	PTC 130
Weight (Kg)	138
DE Bearing	6309 C3
NDE Bearing	6309 C3