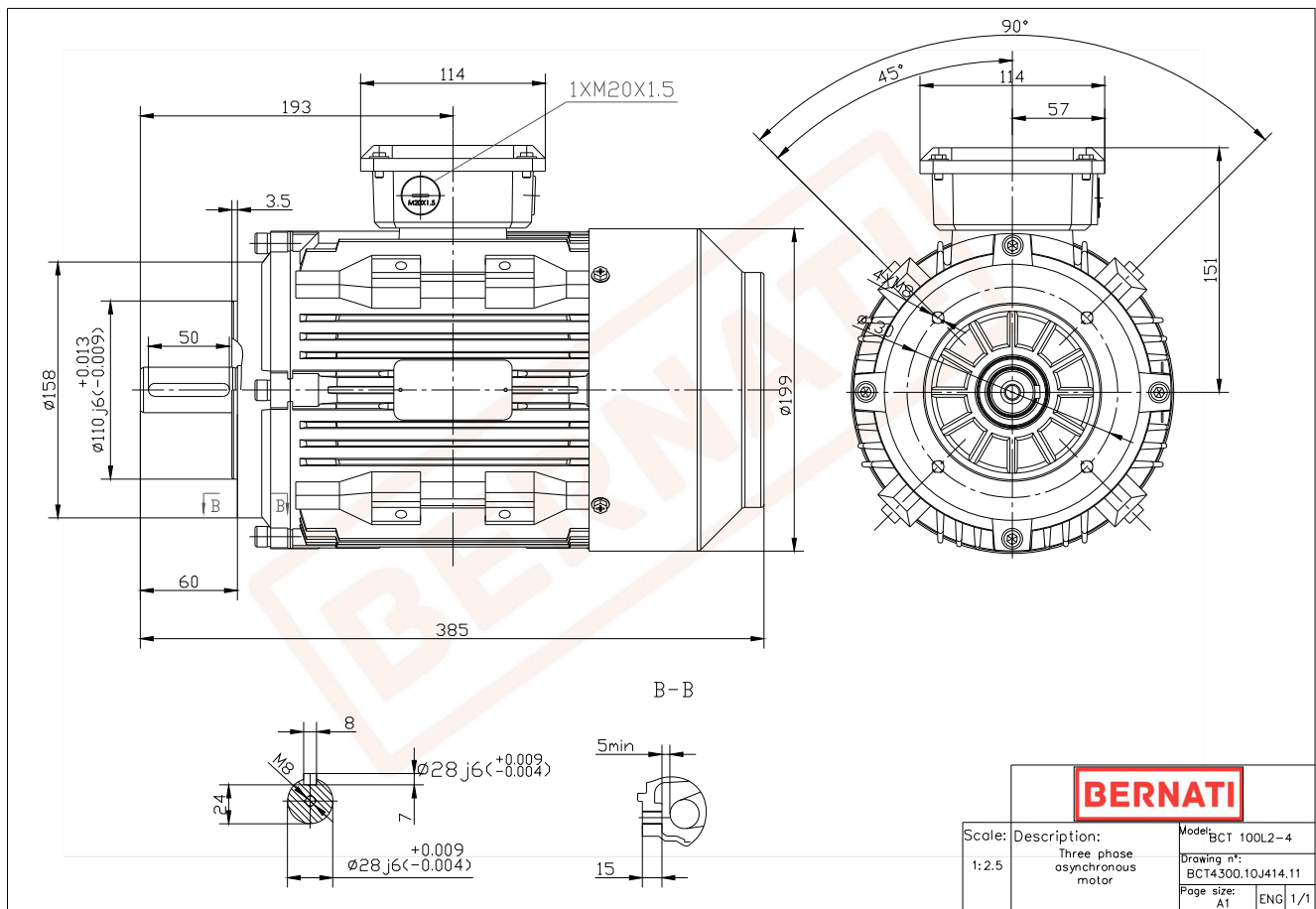


BCT Series - Cast iron frame three phase low voltage electric motor



BCT	
Product Code	BCT4300.10J414.11
Motor Type/Frame	BCT 100L2-4
Mounting	IM B14
Efficiency Class	IE4
Output Power (kW)	3.00
Speed (rpm)	1450
Tension (V)	230/400
Frequency (Hz)	50
Current (A)	6.00
Power factor (Cos Ø)	0.80
Poles	4
Insulation Class	F
IP Class	IP55
50% Efficiency	90.0
75% Efficiency	90.6
100% Efficiency	90.4
Torque (Nm)	19.80
Tstart / Tnominal	2.30
Istart / Inominal	9.50
Tmax / Tnominal	2.30
Noise (dB)	64
PTC Thermistor	PTC 130
Weight (Kg)	45
DE Bearing	6206 2RZ C3
NDE Bearing	6206 2RZ C3