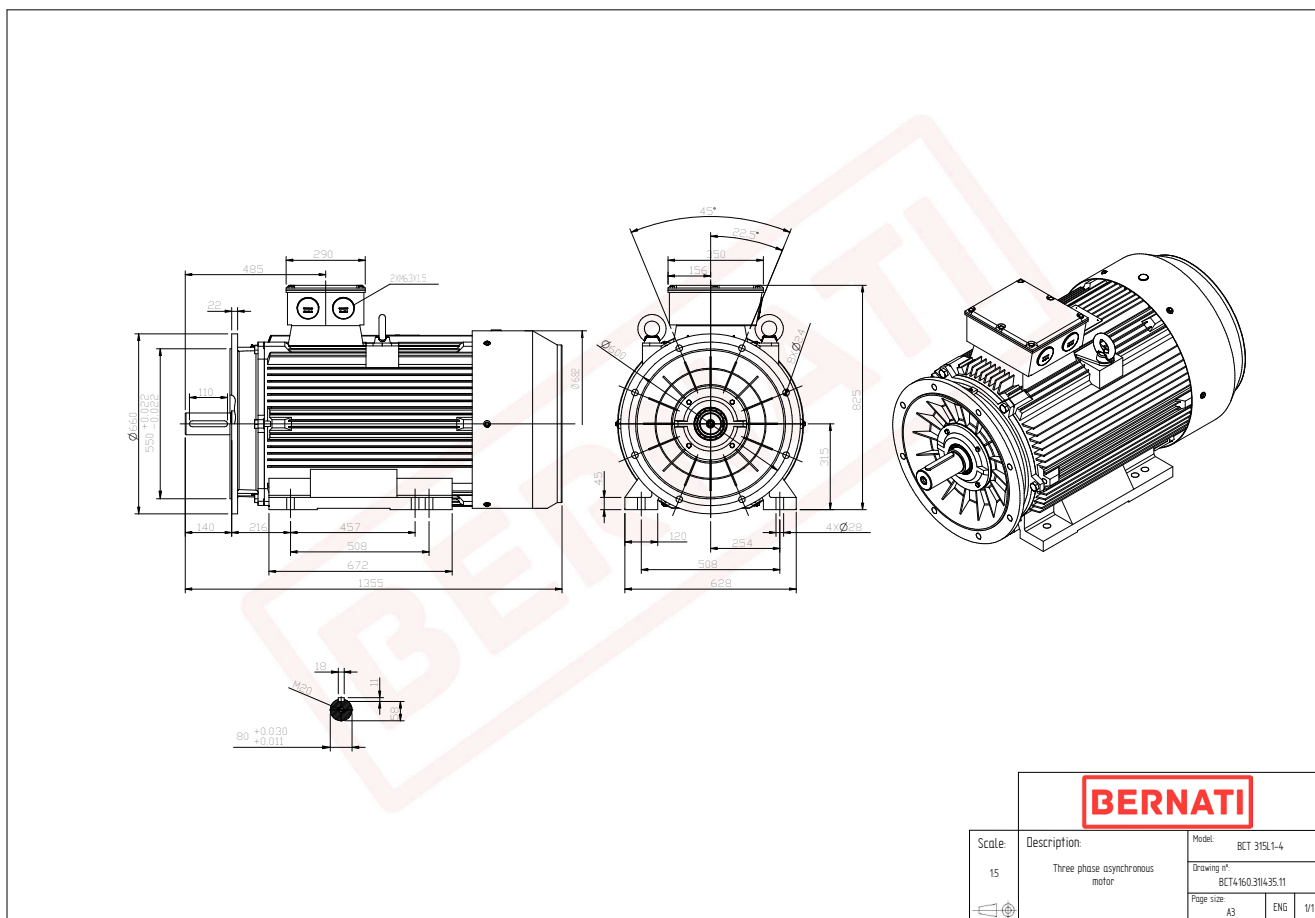


# Technical Datasheet



## BCT Series - Cast iron frame three phase low voltage electric motor



Scale:	15	Description:	Three phase asynchronous motor	Model:	BCT 315L1-4
			Drawing of:	BCT4160.31435.11	
			Page size:	A3	ENG 1/1

### BCT

Product Code	BCT4160.31435.11
Motor Type/Frame	BCT 315L1-4
Mounting	IM B3/B5
Efficiency Class	IE4
Output Power (kW)	160.00
Speed (rpm)	1485
Tension (V)	230/400
Frequency (Hz)	50
Current (A)	265.60
Power factor (Cos Ø)	0.90
Poles	4
Insulation Class	F
IP Class	IP55
50% Efficiency	96.3
75% Efficiency	96.6
100% Efficiency	96.6
Torque (Nm)	1029.40
Tstart / Tnominal	1.80
Istart / Inominal	8.50
Tmax / Tnominal	2.20
Noise (dB)	88
PTC Thermistor	PTC 130
Weight (Kg)	1377
DE Bearing	NU319
NDE Bearing	6319 C3