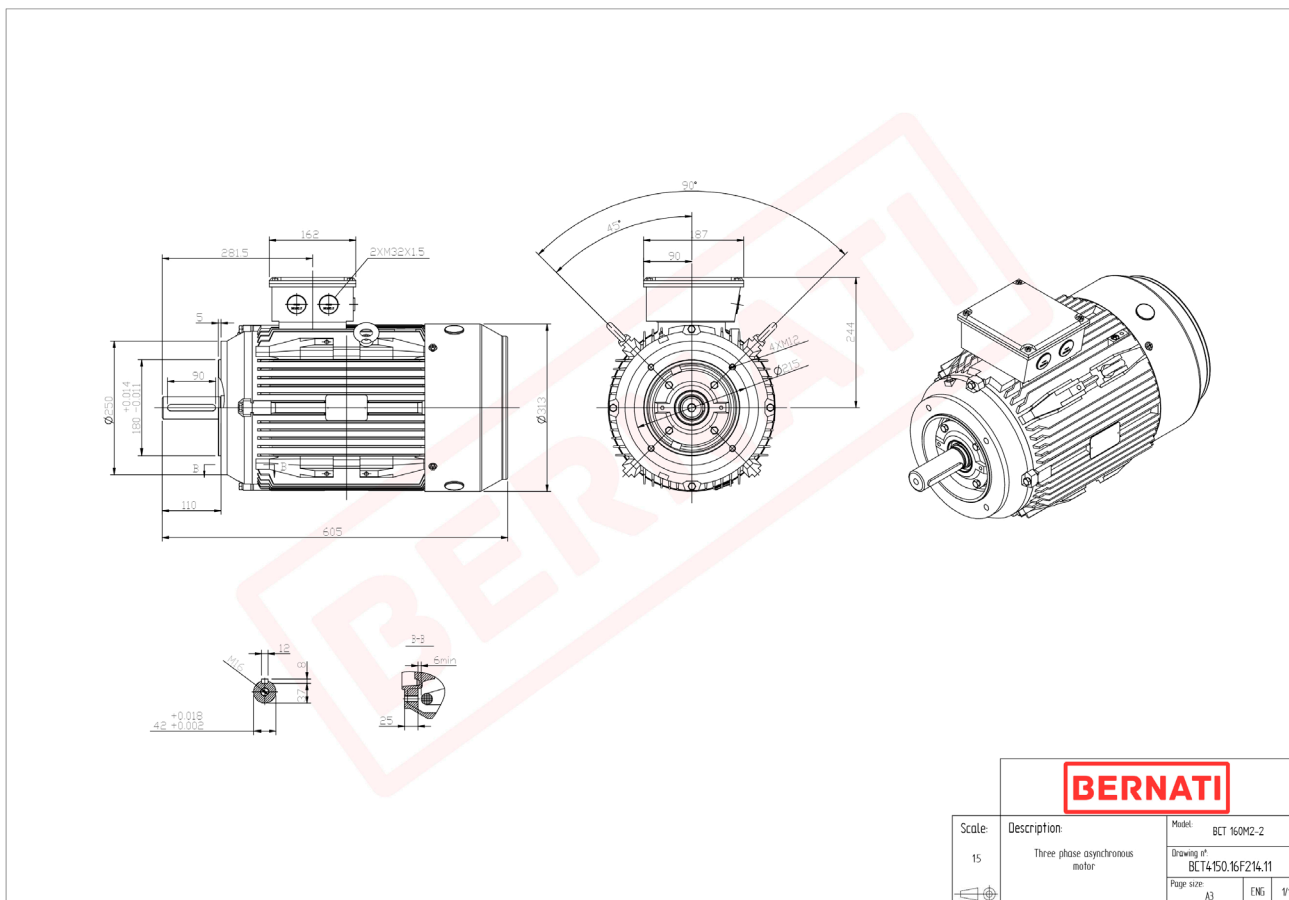


Technical Datasheet

BERNATI

BCT Series - Cast iron frame three phase low voltage electric motor



BERNATI		
Scale:	Description:	Model:
15	Three phase asynchronous motor	BCT 160M2-2
		Drawing n°:
		BCT4150.16F214.11
		Page size:
		A3
		ENG
		V1

BCT

Product Code	BCT4150.16F214.11
Motor Type/Frame	BCT 160M2-2
Mounting	IM B14
Efficiency Class	IE4
Output Power (kW)	15.00
Speed (rpm)	2960
Tension (V)	230/400
Frequency (Hz)	50
Current (A)	26.10
Power factor (Cos Ø)	0.90
Poles	2
Insulation Class	F
IP Class	IP55
50% Efficiency	93.1
75% Efficiency	93.5
100% Efficiency	93.3
Torque (Nm)	48.40
Tstart / Tnominal	2.00
Istart / Inominal	9.50
Tmax / Tnominal	2.30
Noise (dB)	81
PTC Thermistor	PTC 130
Weight (Kg)	155
DE Bearing	6309 C3
NDE Bearing	6309 C3