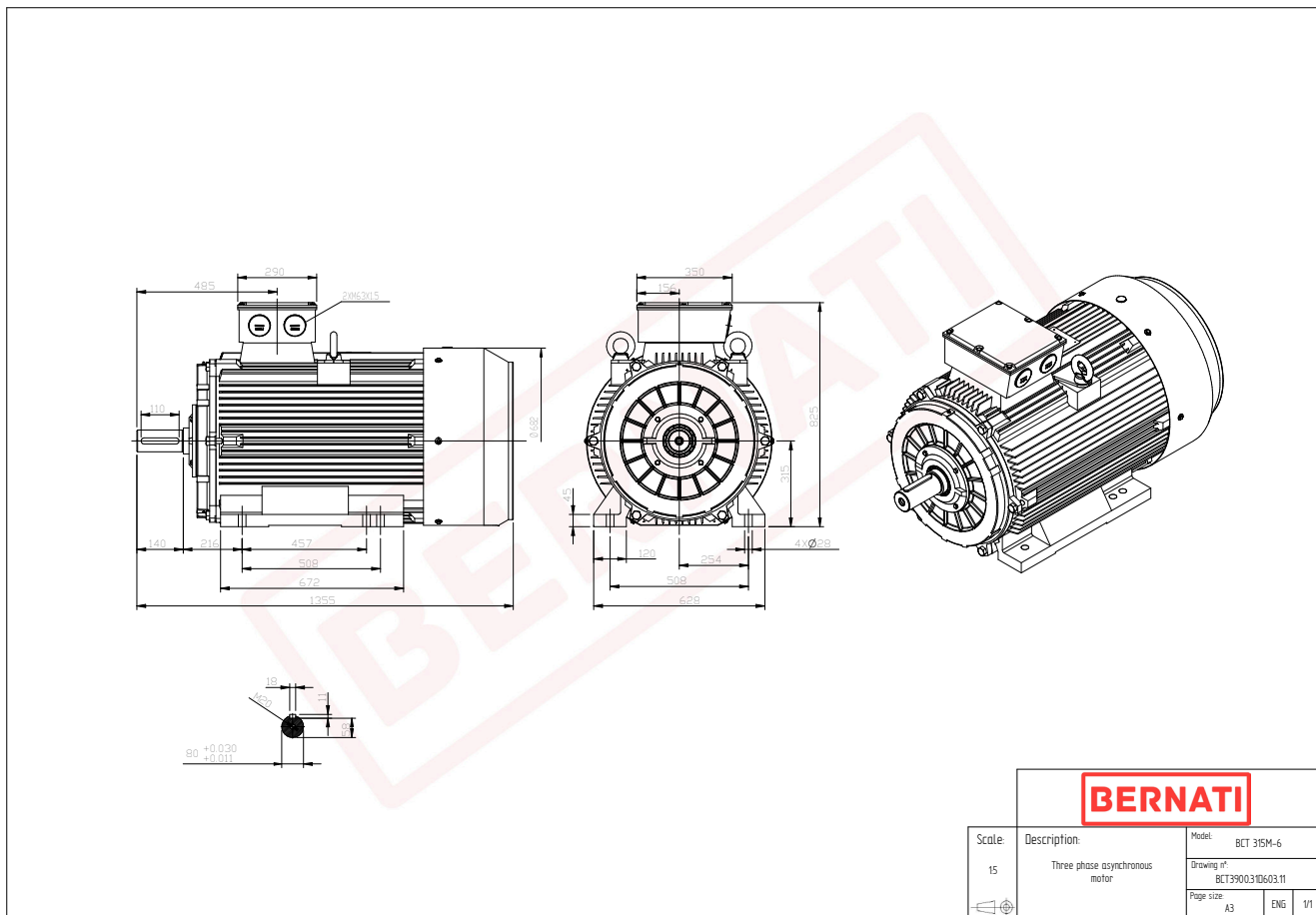


# Technical Datasheet



## BCT Series - Cast iron frame three phase low voltage electric motor



### BCT

Product Code	BCT3900.31D603.11
Motor Type/Frame	BCT 315M-6
Mounting	IM B3
Efficiency Class	IE3
Output Power (kW)	90.00
Speed (rpm)	980
Tension (V)	230/400
Frequency (Hz)	50
Current (A)	166.90
Power factor (Cos Ø)	0.80
Poles	6
Insulation Class	F
IP Class	IP55
50% Efficiency	93.4
75% Efficiency	95.0
100% Efficiency	94.9
Torque (Nm)	877.00
Tstart / Tnominal	2.00
Istart / Inominal	7.50
Tmax / Tnominal	2.30
Noise (dB)	85
PTC Thermistor	PTC 130
Weight (Kg)	970
DE Bearing	NU319
NDE Bearing	6319 C3