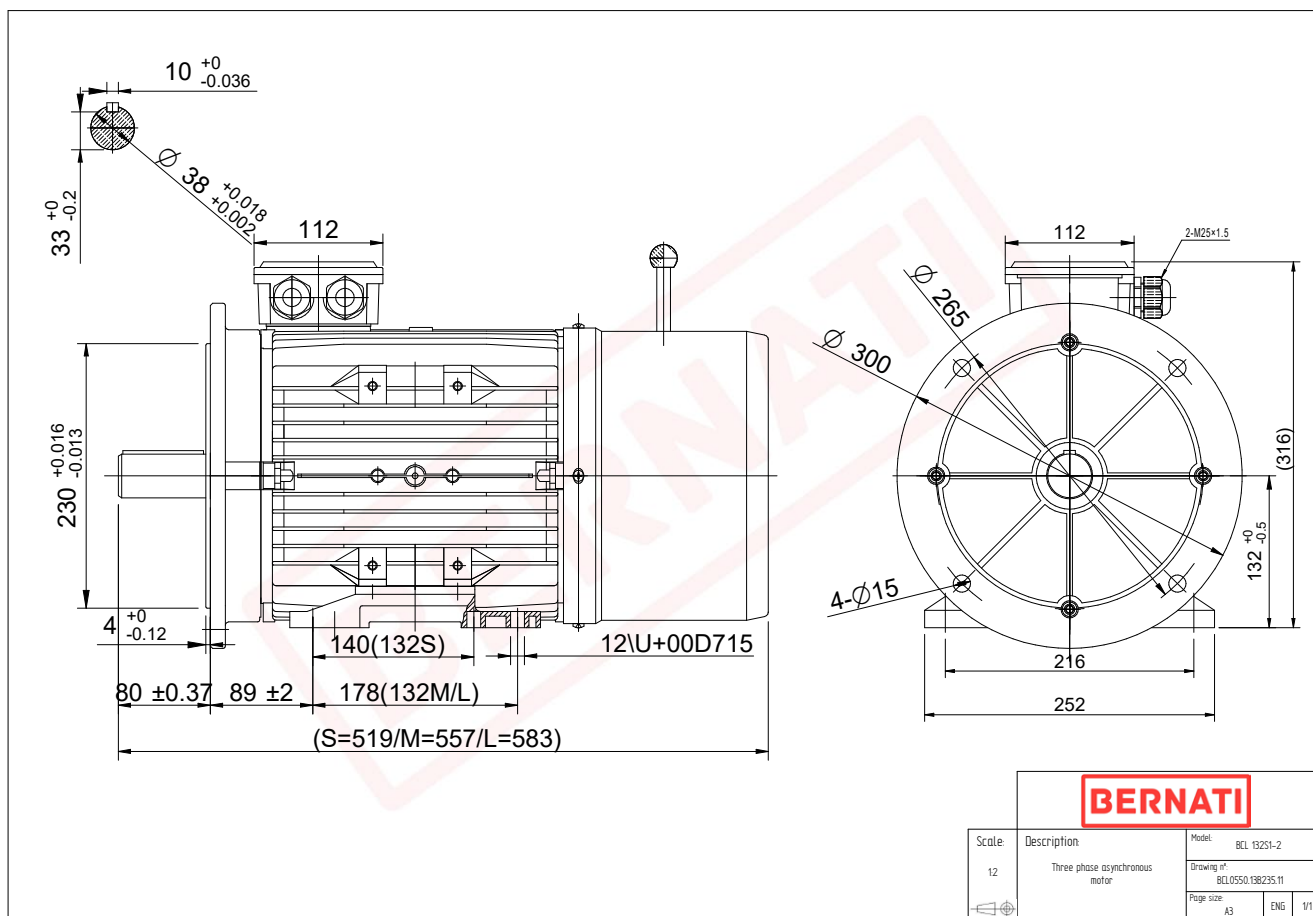


Technical Datasheet

BERNATI

BCL Series - Aluminum frame three phase low voltage electric motor



BCL

Product Code	BCL0550.13B235.11
Motor Type/Frame	BCL 132S1-2
Mounting	IM B3/B5
Output Power (kW)	5.50
Speed (rpm)	2900
Tension (V)	230/400
Frequency (Hz)	50
Current (A)	10.20
Power factor (Cos Ø)	0.90
Poles	2
Insulation Class	F
IP Class	IP55
50% Efficiency	86.5
75% Efficiency	87.4
100% Efficiency	86.6
Tstart / Tnominal	2.30
Istart / Inominal	7.90
Tmax / Tnominal	3.10
Noise (dB)	80
PTC Thermistor	N/A
Weight (Kg)	47
DE Bearing	6308 2RZ C3
NDE Bearing	6208 2RZ C3