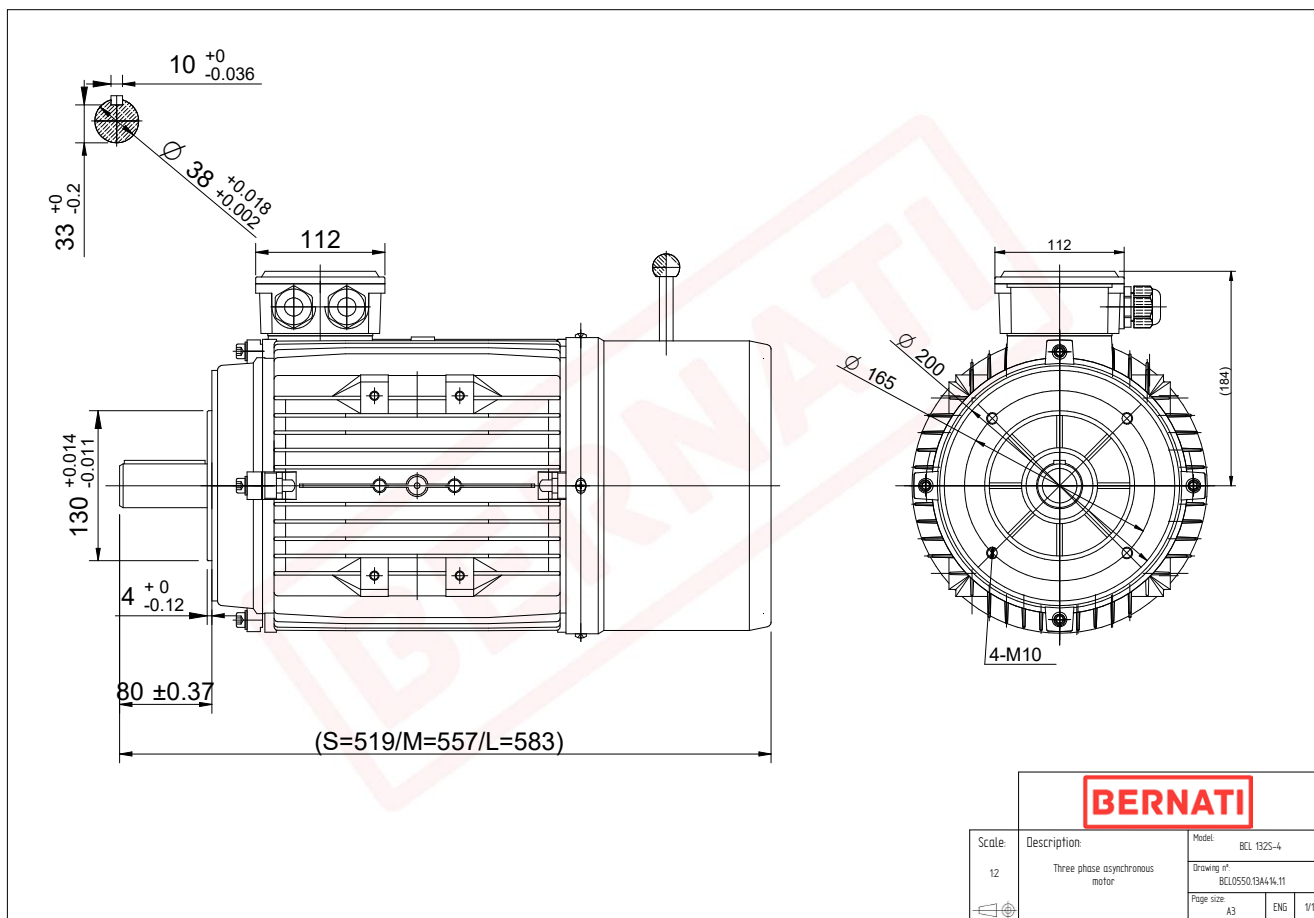


Technical Datasheet



BCL Series - Aluminum frame three phase low voltage electric motor



BCL

Product Code	BCL0550.13A414.11
Motor Type/Frame	BCL 132S-4
Mounting	IM B14
Output Power (kW)	5.50
Speed (rpm)	1445
Tension (V)	230/400
Frequency (Hz)	50
Current (A)	10.80
Power factor (Cos Ø)	0.90
Poles	4
Insulation Class	F
IP Class	IP55
50% Efficiency	87.7
75% Efficiency	87.8
100% Efficiency	86.4
Tstart / Tnominal	2.20
Istart / Inominal	7.50
Tmax / Tnominal	2.90
Noise (dB)	71
PTC Thermistor	N/A
Weight (Kg)	49
DE Bearing	6308 2RZ C3
NDE Bearing	6208 2RZ C3