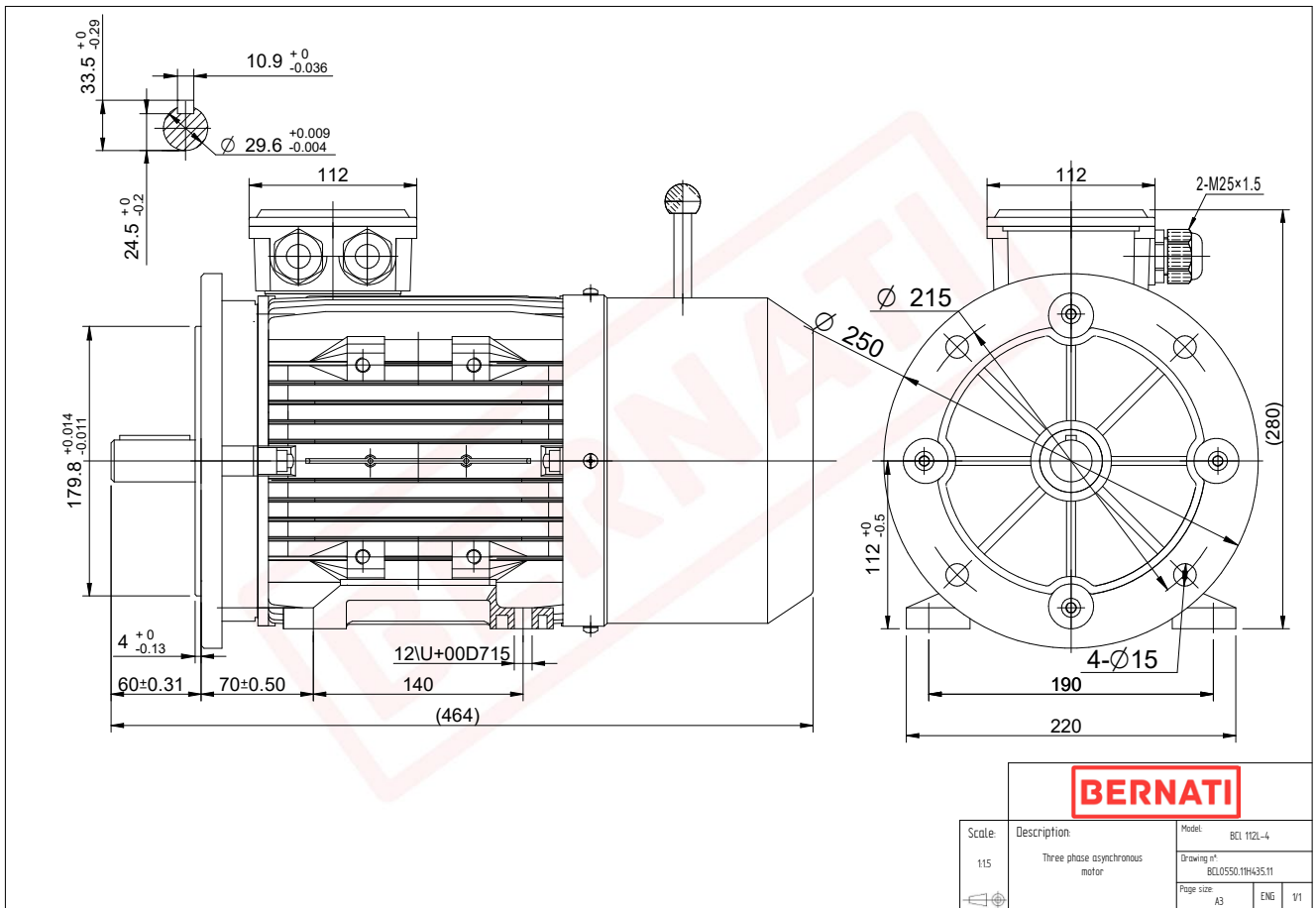


# Technical Datasheet

**BERNATI**

BCL Series - Aluminum frame three phase low voltage electric motor



## BCL

Product Code	BCL0550.11H435.11
Motor Type/Frame	BCL 112L-4
Mounting	IM B3/B5
Output Power (kW)	5.50
Speed (rpm)	1435
Tension (V)	230/400
Frequency (Hz)	50
Current (A)	11.20
Power factor (Cos Ø)	0.80
Poles	4
Insulation Class	F
IP Class	IP55
50% Efficiency	86.6
75% Efficiency	87.1
100% Efficiency	85.9
Tstart / Tnominal	2.50
Istart / Inominal	7.20
Tmax / Tnominal	3.00
Noise (dB)	68
PTC Thermistor	N/A
Weight (Kg)	41
DE Bearing	6306 2RZ C3
NDE Bearing	6206 2RZ C3