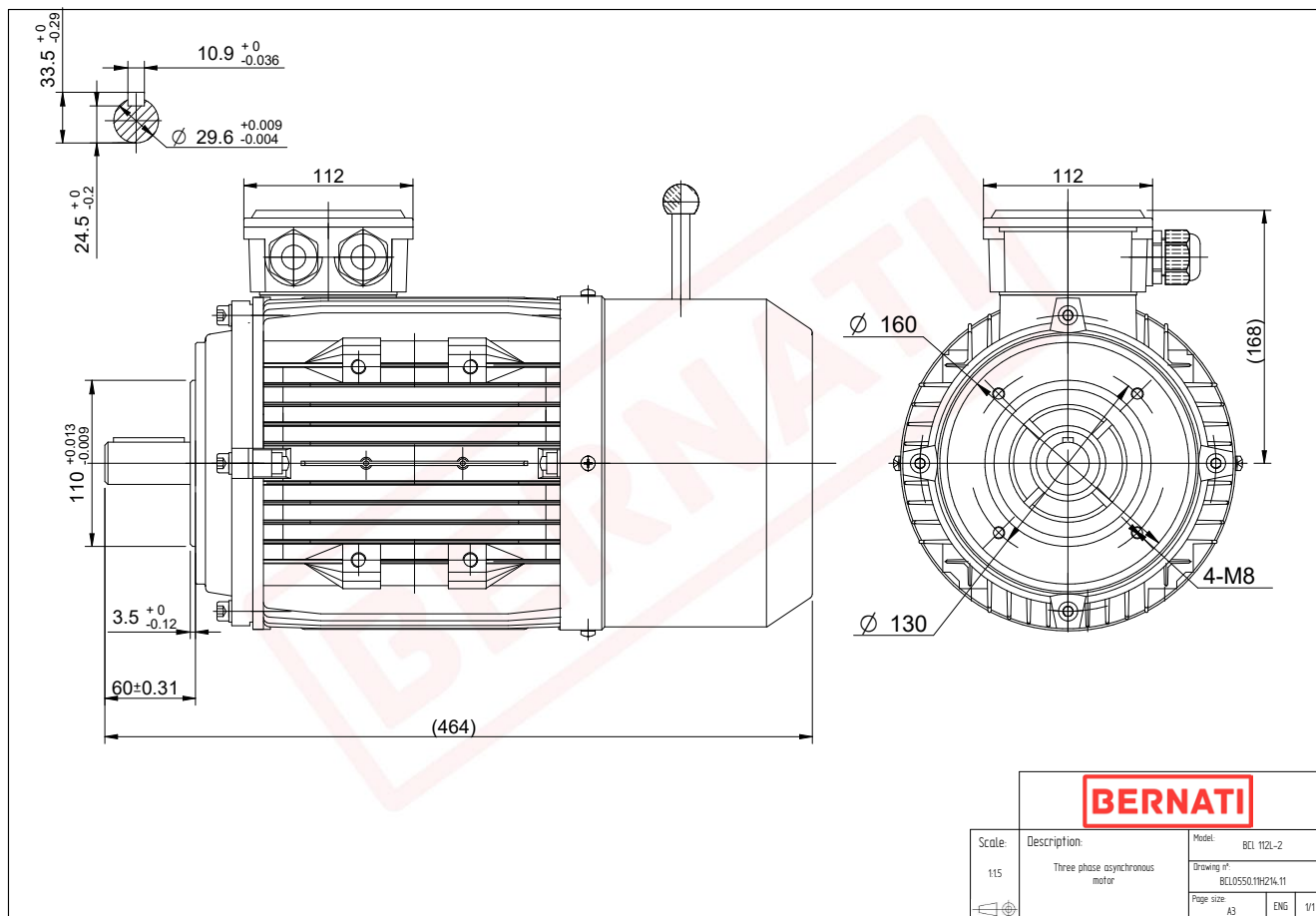


Technical Datasheet

BERNATI

BCL Series - Aluminum frame three phase low voltage electric motor



BCL

Product Code	BCL0550.11H214.11
Motor Type/Frame	BCL 112L-2
Mounting	IM B14
Output Power (kW)	5.50
Speed (rpm)	2890
Tension (V)	230/400
Frequency (Hz)	50
Current (A)	9.90
Power factor (Cos Ø)	0.90
Poles	2
Insulation Class	F
IP Class	IP55
50% Efficiency	87.6
75% Efficiency	88.0
100% Efficiency	87.1
Tstart / Tnominal	3.10
Istart / Inominal	9.40
Tmax / Tnominal	3.30
Noise (dB)	78
PTC Thermistor	N/A
Weight (Kg)	36
DE Bearing	6306 2RZ C3
NDE Bearing	6206 2RZ C3