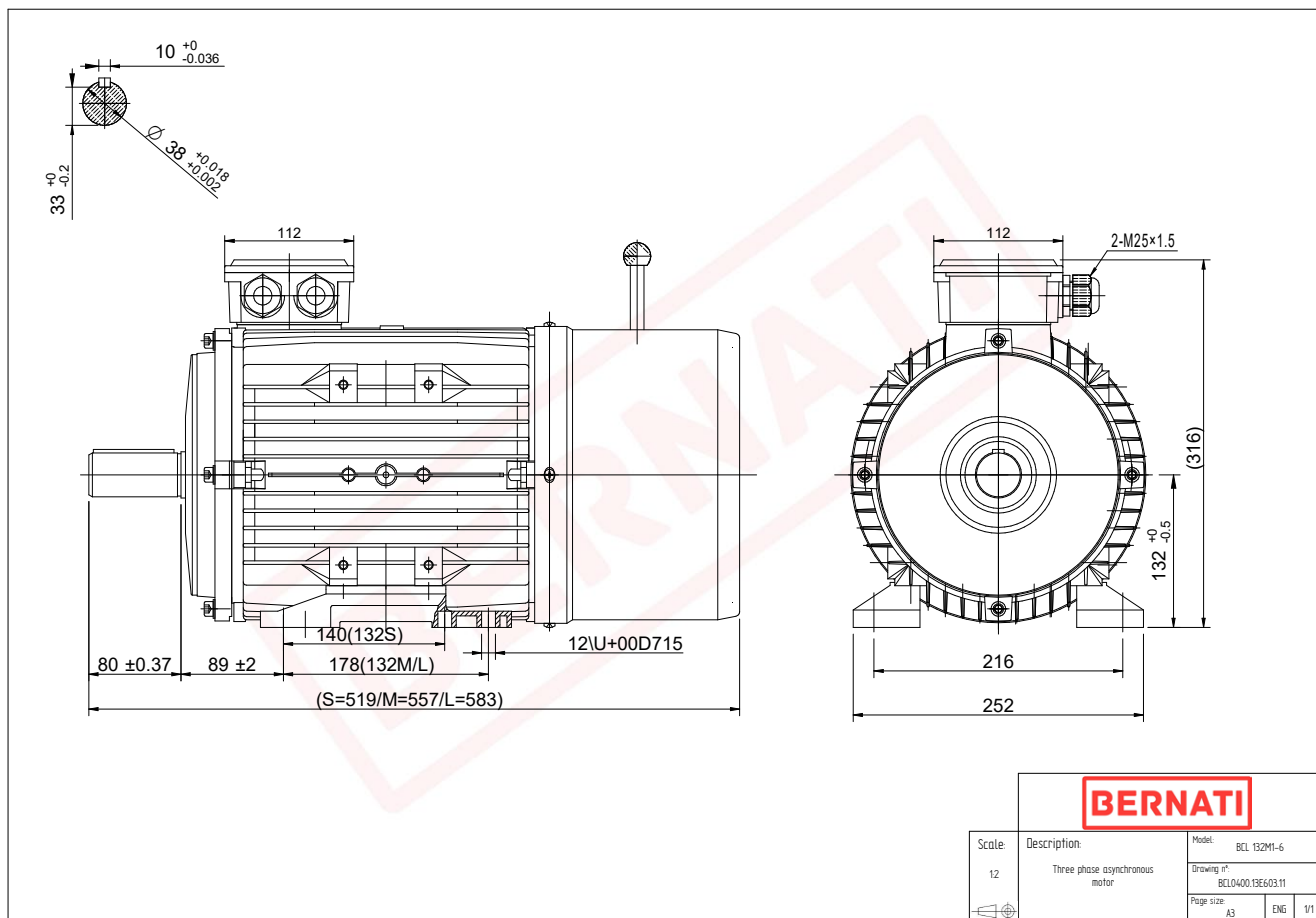


# Technical Datasheet

**BERNATI**

BCL Series - Aluminum frame three phase low voltage electric motor



## BCL

Product Code	BCL0400.13E603.11
Motor Type/Frame	BCL 132M1-6
Mounting	IM B3
Output Power (kW)	4.00
Speed (rpm)	965
Tension (V)	230/400
Frequency (Hz)	50
Current (A)	8.90
Power factor (Cos Ø)	0.80
Poles	6
Insulation Class	F
IP Class	IP55
50% Efficiency	84.4
75% Efficiency	85.8
100% Efficiency	85.2
Tstart / Tnominal	2.30
Istart / Inominal	6.60
Tmax / Tnominal	2.90
Noise (dB)	68
PTC Thermistor	N/A
Weight (Kg)	54
DE Bearing	6308 2RZ C3
NDE Bearing	6208 2RZ C3