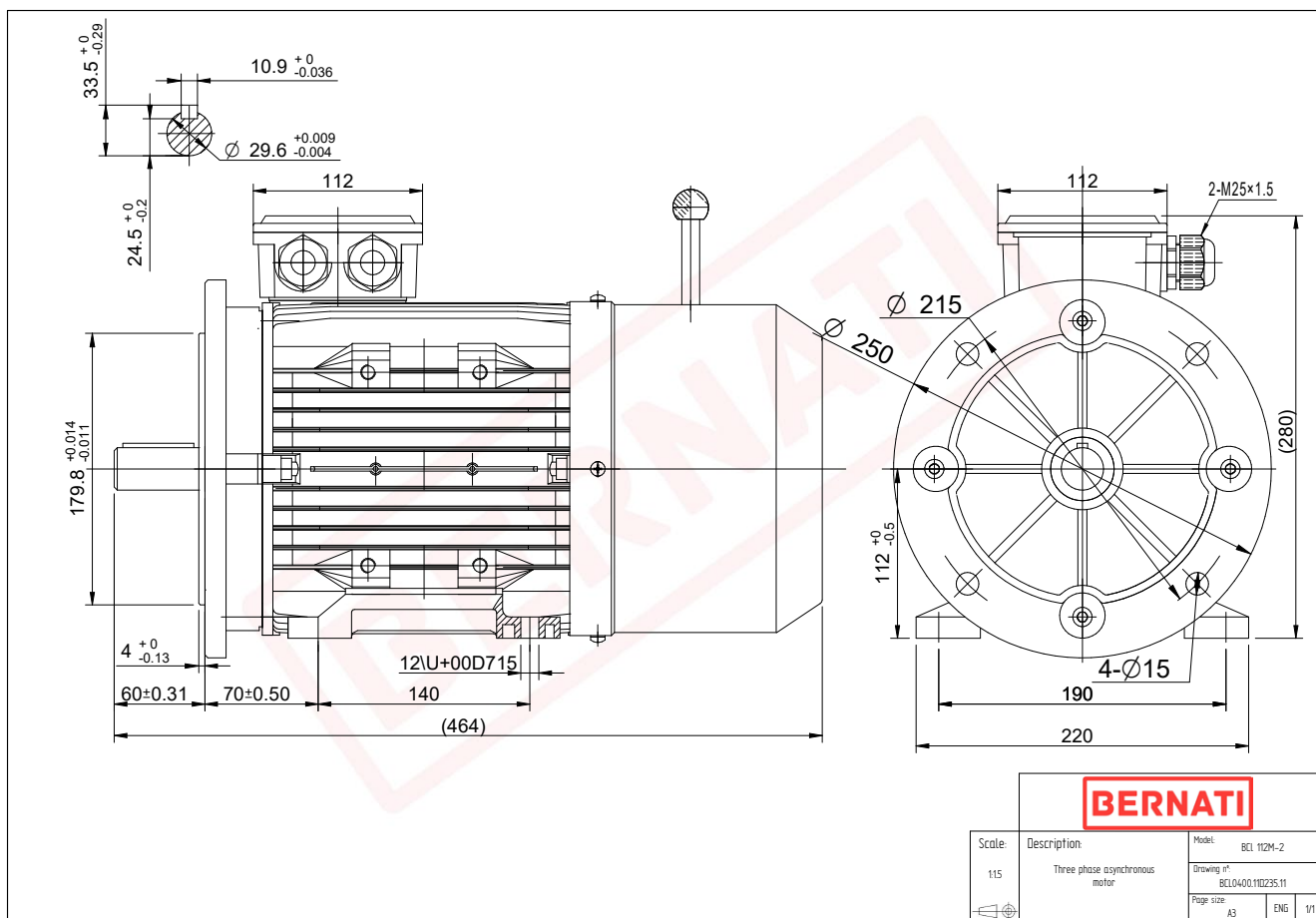


Technical Datasheet

BERNATI

BCL Series - Aluminum frame three phase low voltage electric motor



BCL

Product Code	BCL0400.11D235.11
Motor Type/Frame	BCL 112M-2
Mounting	IM B3/B5
Output Power (kW)	4.00
Speed (rpm)	2870
Tension (V)	230/400
Frequency (Hz)	50
Current (A)	7.30
Power factor (Cos Ø)	0.90
Poles	2
Insulation Class	F
IP Class	IP55
50% Efficiency	86.8
75% Efficiency	87.0
100% Efficiency	85.6
Tstart / Tnominal	2.60
Istart / Inominal	8.10
Tmax / Tnominal	2.90
Noise (dB)	77
PTC Thermistor	N/A
Weight (Kg)	33
DE Bearing	6306 2RZ C3
NDE Bearing	6206 2RZ C3