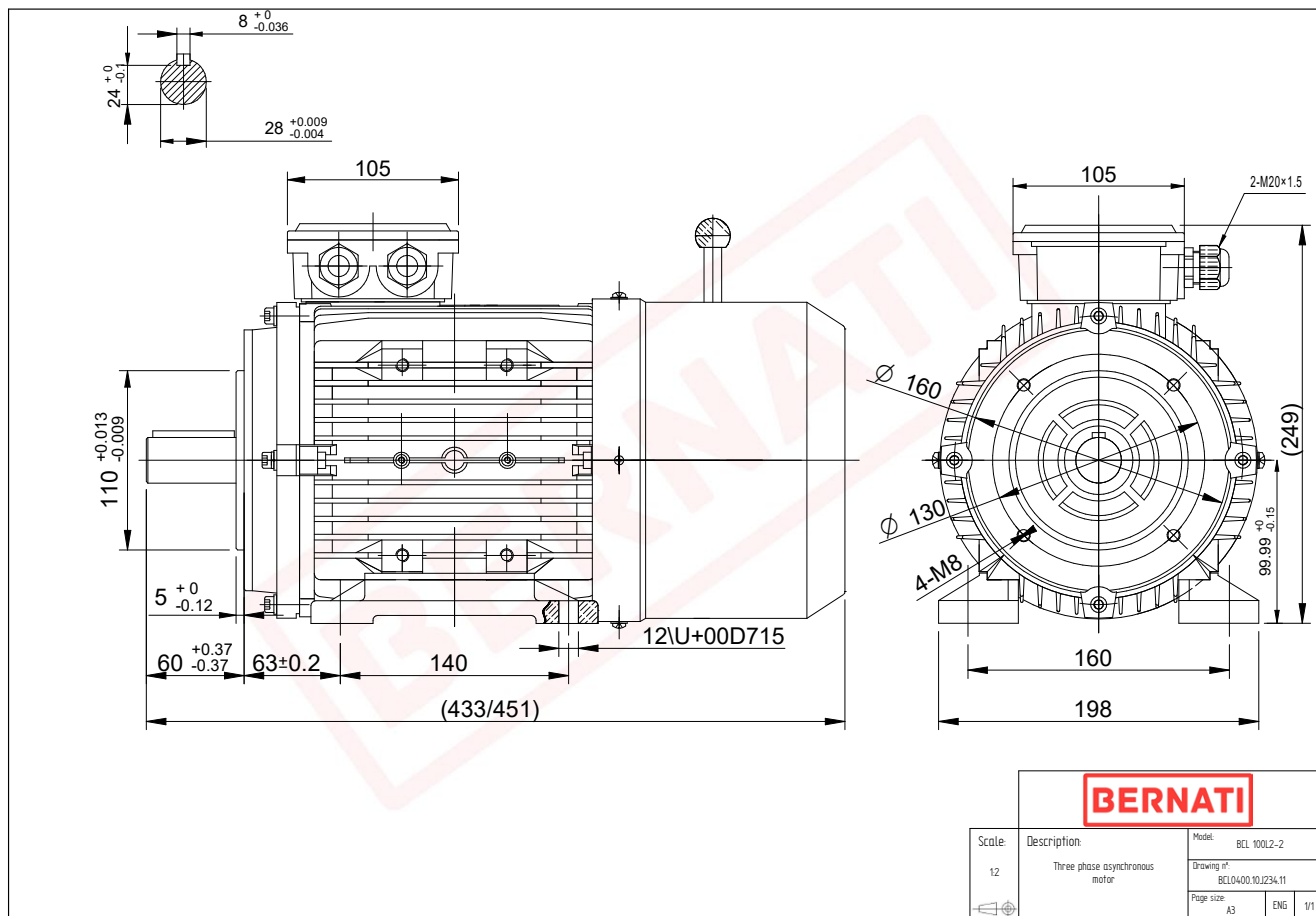


Technical Datasheet

BERNATI

BCL Series - Aluminum frame three phase low voltage electric motor



BCL

Product Code	BCL0400.10J234.11
Motor Type/Frame	BCL 100L2-2
Mounting	IM B3/B14
Output Power (kW)	4.00
Speed (rpm)	2870
Tension (V)	230/400
Frequency (Hz)	50
Current (A)	7.60
Power factor (Cos Ø)	0.90
Poles	2
Insulation Class	F
IP Class	IP55
50% Efficiency	85.8
75% Efficiency	86.5
100% Efficiency	85.5
Tstart / Tnominal	3.20
Istart / Inominal	8.80
Tmax / Tnominal	3.40
Noise (dB)	77
PTC Thermistor	N/A
Weight (Kg)	29
DE Bearing	6206 2RZ C3
NDE Bearing	6206 2RZ C3