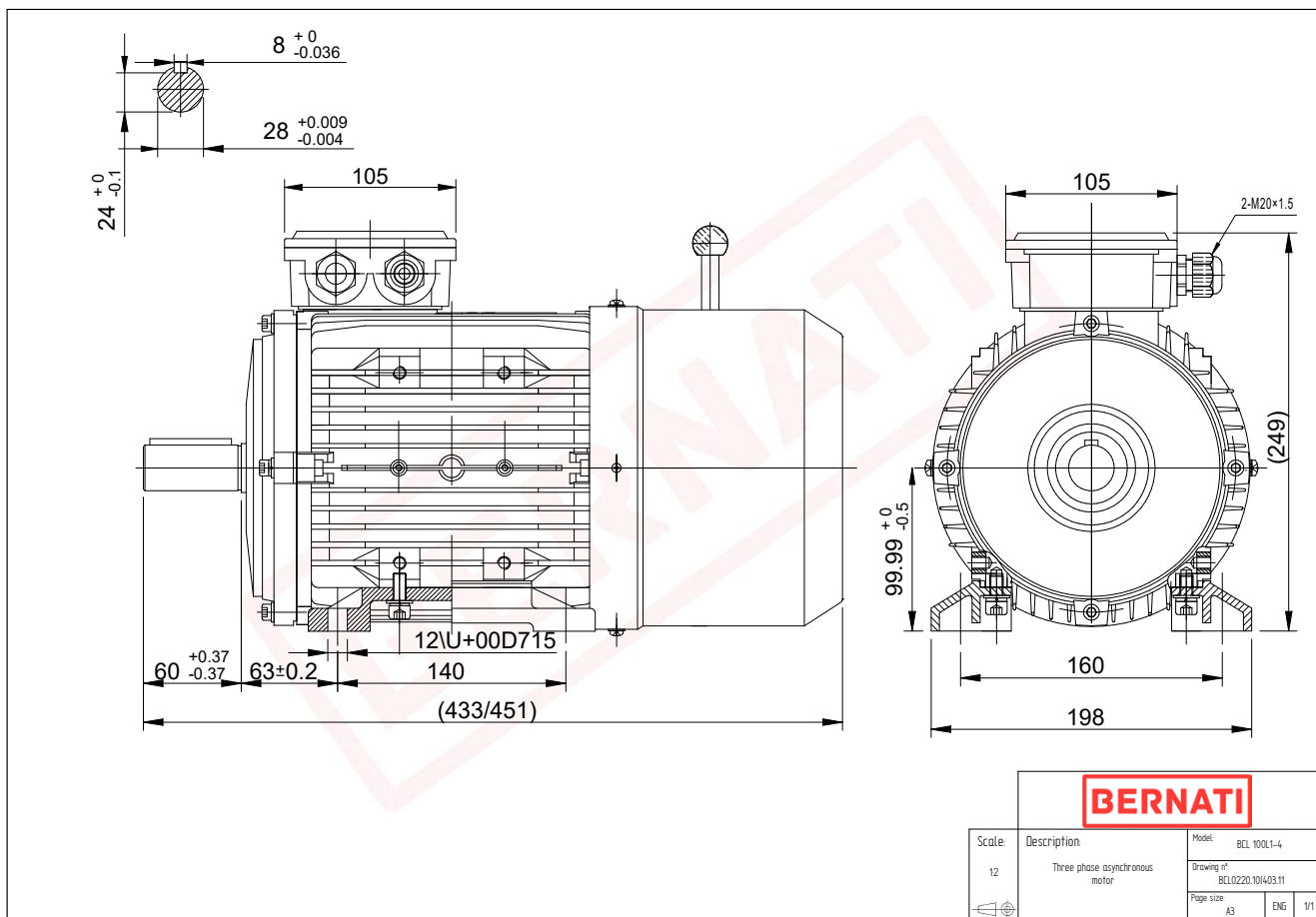


Technical Datasheet

BERNATI

BCL Series - Aluminum frame three phase low voltage electric motor



BCL

Product Code	BCL0220.101403.11
Motor Type/Frame	BCL 100L1-4
Mounting	IM B3
Output Power (kW)	2.20
Speed (rpm)	1420
Tension (V)	230/400
Frequency (Hz)	50
Current (A)	4.80
Power factor (Cos Ø)	0.80
Poles	4
Insulation Class	F
IP Class	IP55
50% Efficiency	82.3
75% Efficiency	83.3
100% Efficiency	82.0
Tstart / Tnominal	2.40
Istart / Inominal	6.30
Tmax / Tnominal	2.70
Noise (dB)	64
PTC Thermistor	N/A
Weight (Kg)	25
DE Bearing	6206 2RZ C3
NDE Bearing	6206 2RZ C3