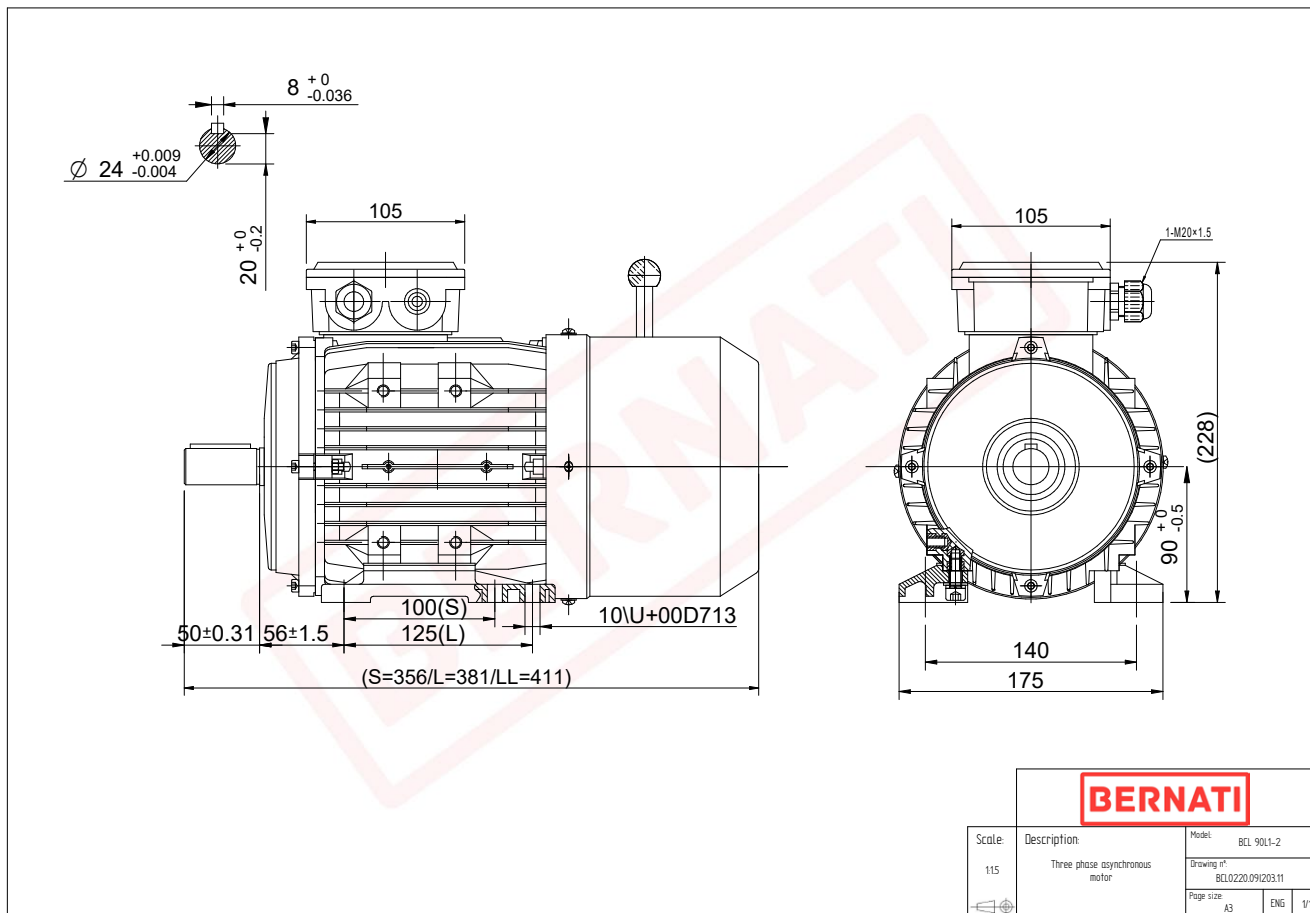


Technical Datasheet

BERNATI

BCL Series - Aluminum frame three phase low voltage electric motor



BCL

Product Code	BCL0220.09I203.11
Motor Type/Frame	BCL 90L1-2
Mounting	IM B3
Output Power (kW)	2.20
Speed (rpm)	2860
Tension (V)	230/400
Frequency (Hz)	50
Current (A)	4.50
Power factor (Cos Ø)	0.90
Poles	2
Insulation Class	F
IP Class	IP55
50% Efficiency	81.4
75% Efficiency	83.4
100% Efficiency	82.9
Tstart / Tnominal	3.70
Istart / Inominal	8.80
Tmax / Tnominal	3.90
Noise (dB)	72
PTC Thermistor	N/A
Weight (Kg)	18
DE Bearing	6205 2RZ C3
NDE Bearing	6205 2RZ C3