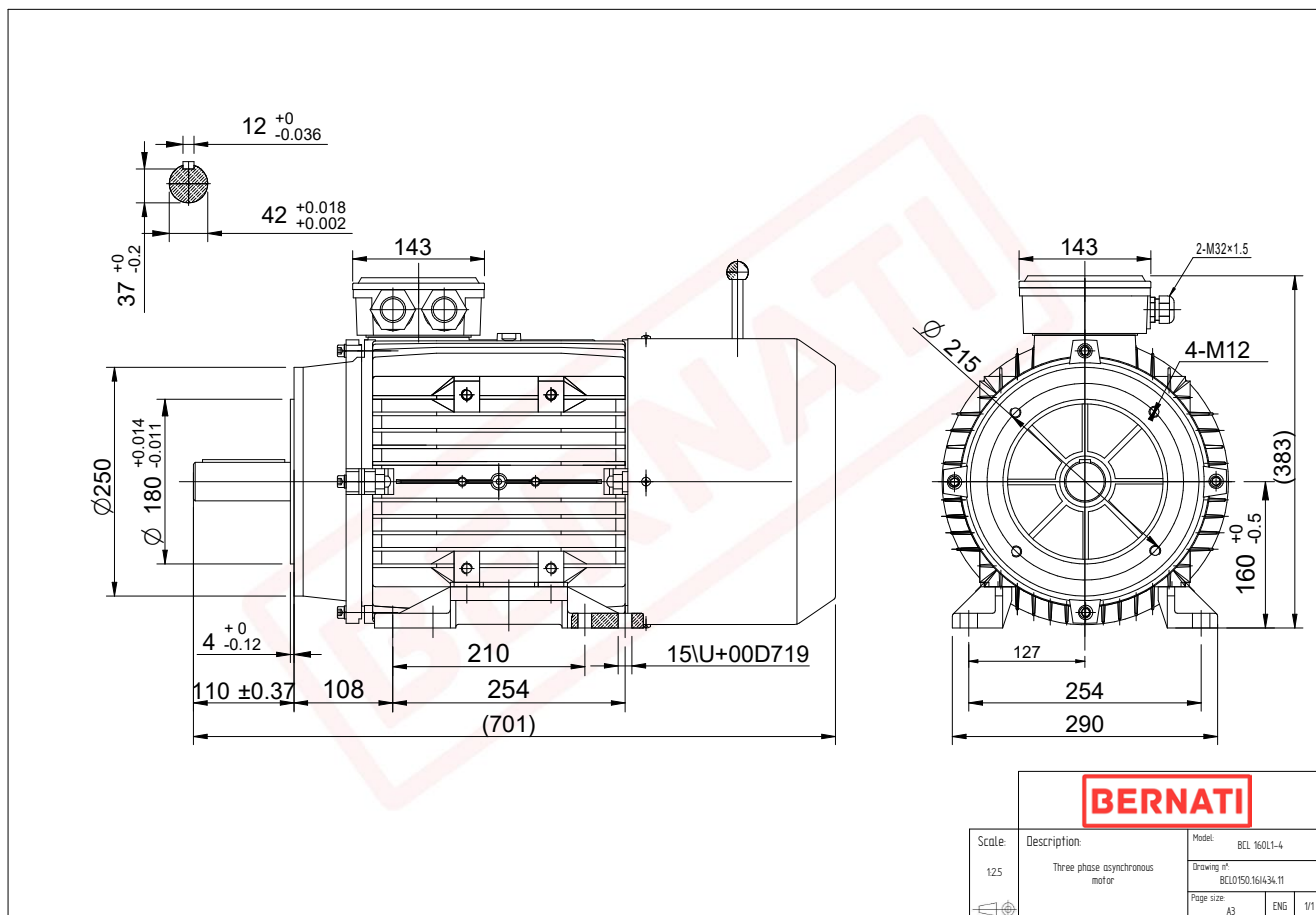


Technical Datasheet

BERNATI

BCL Series - Aluminum frame three phase low voltage electric motor



BCL

Product Code	BCL0150.16I434.11
Motor Type/Frame	BCL 160L1-4
Mounting	IM B3/B14
Output Power (kW)	15.00
Speed (rpm)	1455
Tension (V)	230/400
Frequency (Hz)	50
Current (A)	28.50
Power factor (Cos ϕ)	0.90
Poles	4
Insulation Class	F
IP Class	IP55
50% Efficiency	90.2
75% Efficiency	90.0
100% Efficiency	88.7
Tstart / Tnominal	2.20
Istart / Inominal	7.30
Tmax / Tnominal	2.50
Noise (dB)	75
PTC Thermistor	N/A
Weight (Kg)	95
DE Bearing	6309 2RZ C3
NDE Bearing	6209 2RZ C3