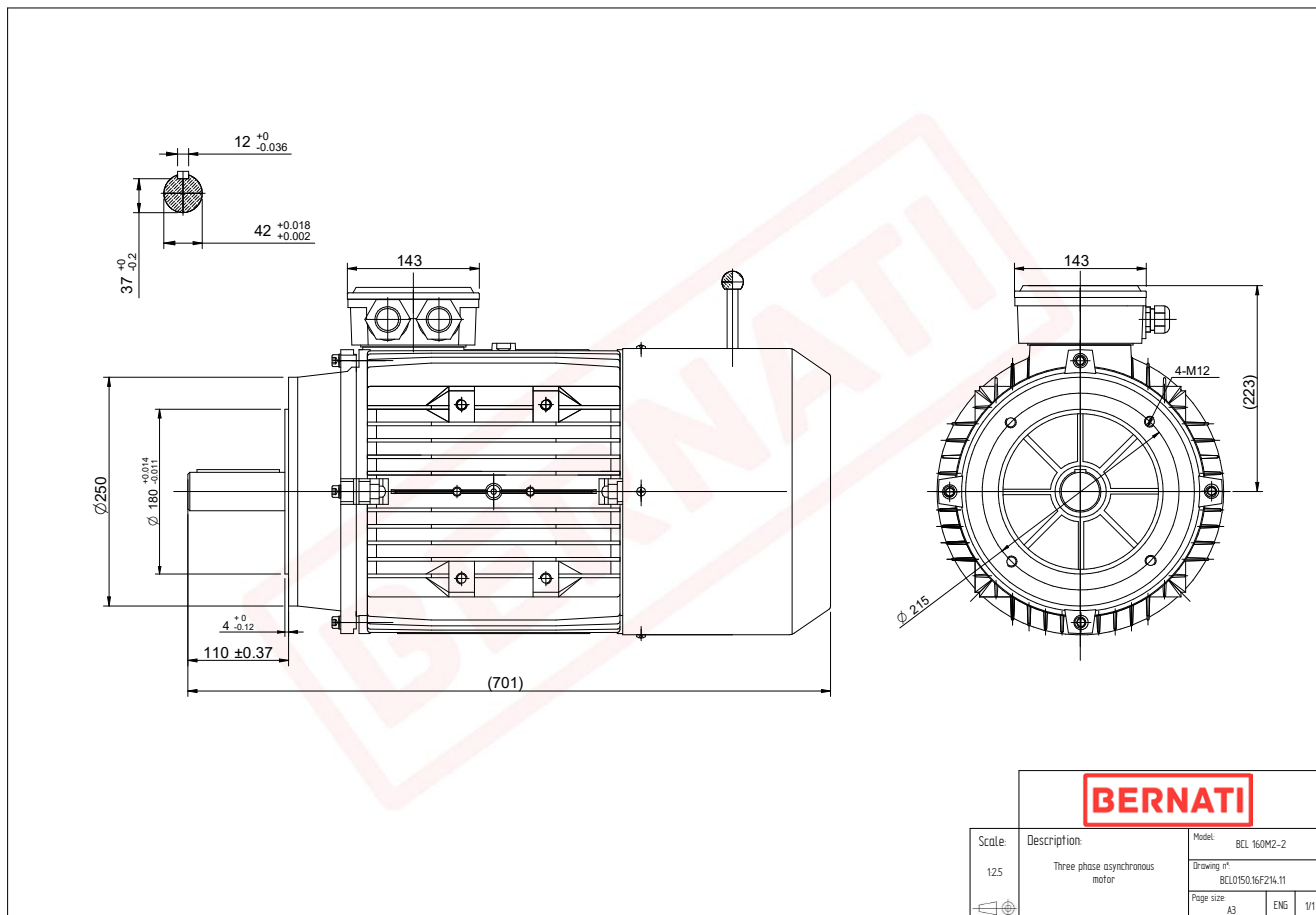


Technical Datasheet

BERNATI

BCL Series - Aluminum frame three phase low voltage electric motor



BCL

Product Code	BCL0150.16F214.11
Motor Type/Frame	BCL 160M2-2
Mounting	IM B14
Output Power (kW)	15.00
Speed (rpm)	2910
Tension (V)	230/400
Frequency (Hz)	50
Current (A)	27.10
Power factor (Cos Ø)	0.90
Poles	2
Insulation Class	F
IP Class	IP55
50% Efficiency	89.9
75% Efficiency	90.0
100% Efficiency	89.1
Tstart / Tnominal	2.20
Istart / Inominal	6.40
Tmax / Tnominal	2.80
Noise (dB)	86
PTC Thermistor	N/A
Weight (Kg)	105
DE Bearing	6309 2RZ C3
NDE Bearing	6209 2RZ C3