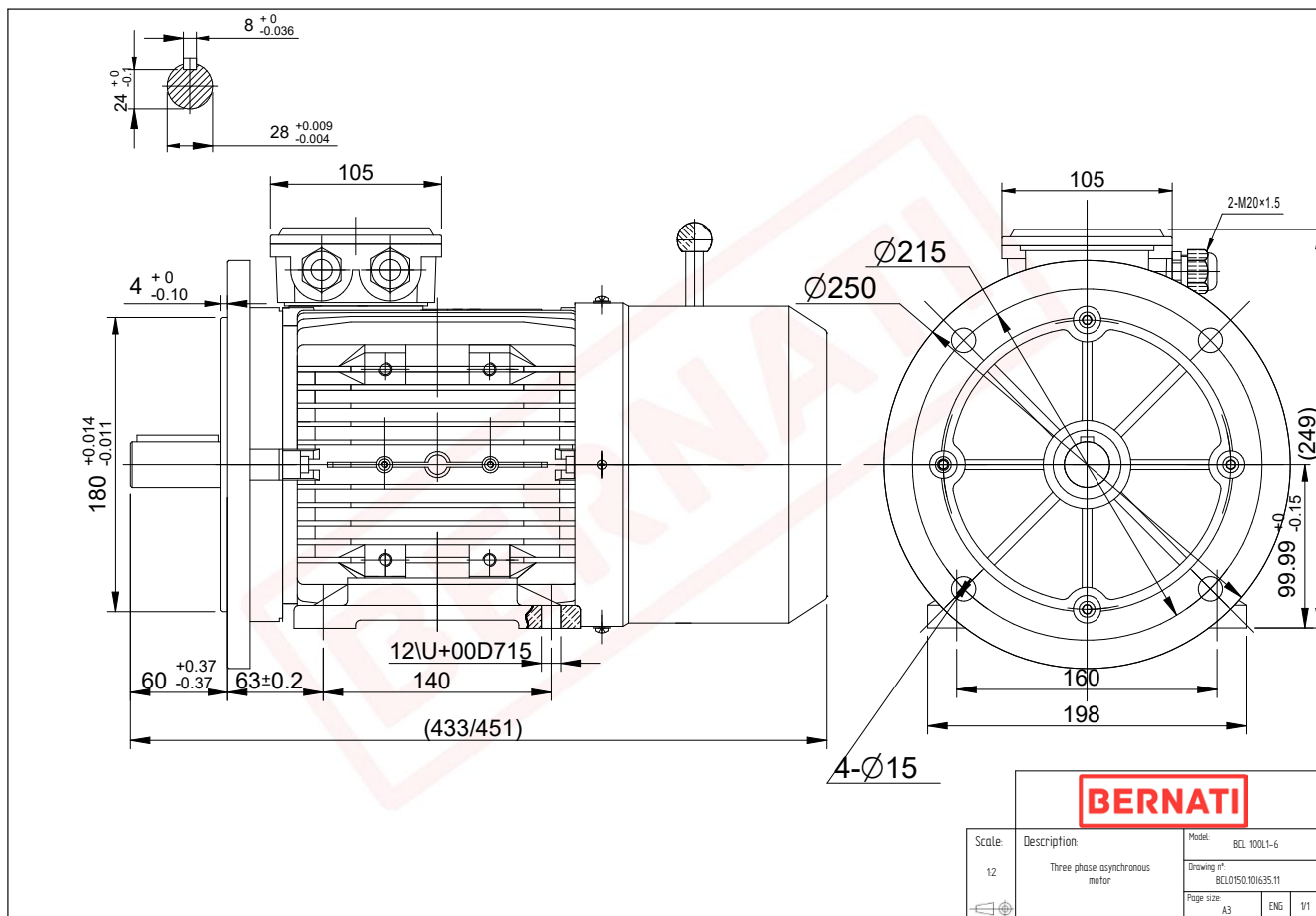


# Technical Datasheet

**BERNATI**

BCL Series - Aluminum frame three phase low voltage electric motor



## BCL

Product Code	BCL0150.101635.11
Motor Type/Frame	BCL 100L1-6
Mounting	IM B3/B5
Output Power (kW)	1.50
Speed (rpm)	935
Tension (V)	230/400
Frequency (Hz)	50
Current (A)	3.70
Power factor (Cos Ø)	0.70
Poles	6
Insulation Class	F
IP Class	IP55
50% Efficiency	78.2
75% Efficiency	79.9
100% Efficiency	78.5
Tstart / Tnominal	2.10
Istart / Inominal	5.00
Tmax / Tnominal	2.40
Noise (dB)	61
PTC Thermistor	N/A
Weight (Kg)	23
DE Bearing	6206 2RZ C3
NDE Bearing	6206 2RZ C3