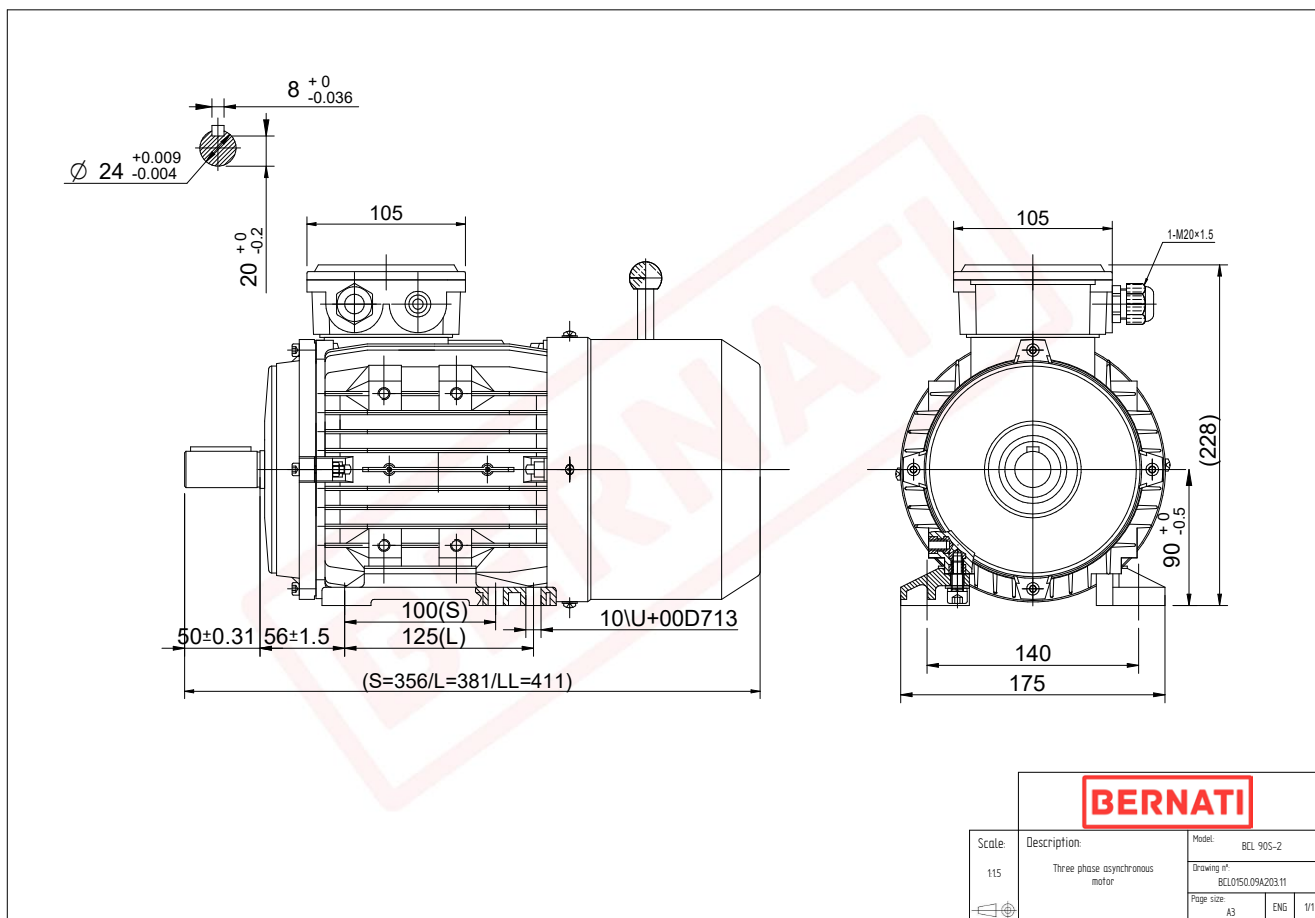


# Technical Datasheet

**BERNATI**

BCL Series - Aluminum frame three phase low voltage electric motor



## BCL

Product Code	BCL0150.09A203.11
Motor Type/Frame	BCL 90S-2
Mounting	IM B3
Output Power (kW)	1.50
Speed (rpm)	2850
Tension (V)	230/400
Frequency (Hz)	50
Current (A)	3.20
Power factor (Cos Ø)	0.90
Poles	2
Insulation Class	F
IP Class	IP55
50% Efficiency	78.9
75% Efficiency	81.2
100% Efficiency	80.8
Tstart / Tnominal	2.80
Istart / Inominal	7.70
Tmax / Tnominal	3.30
Noise (dB)	72
PTC Thermistor	N/A
Weight (Kg)	15
DE Bearing	6205 2RZ C3
NDE Bearing	6205 2RZ C3