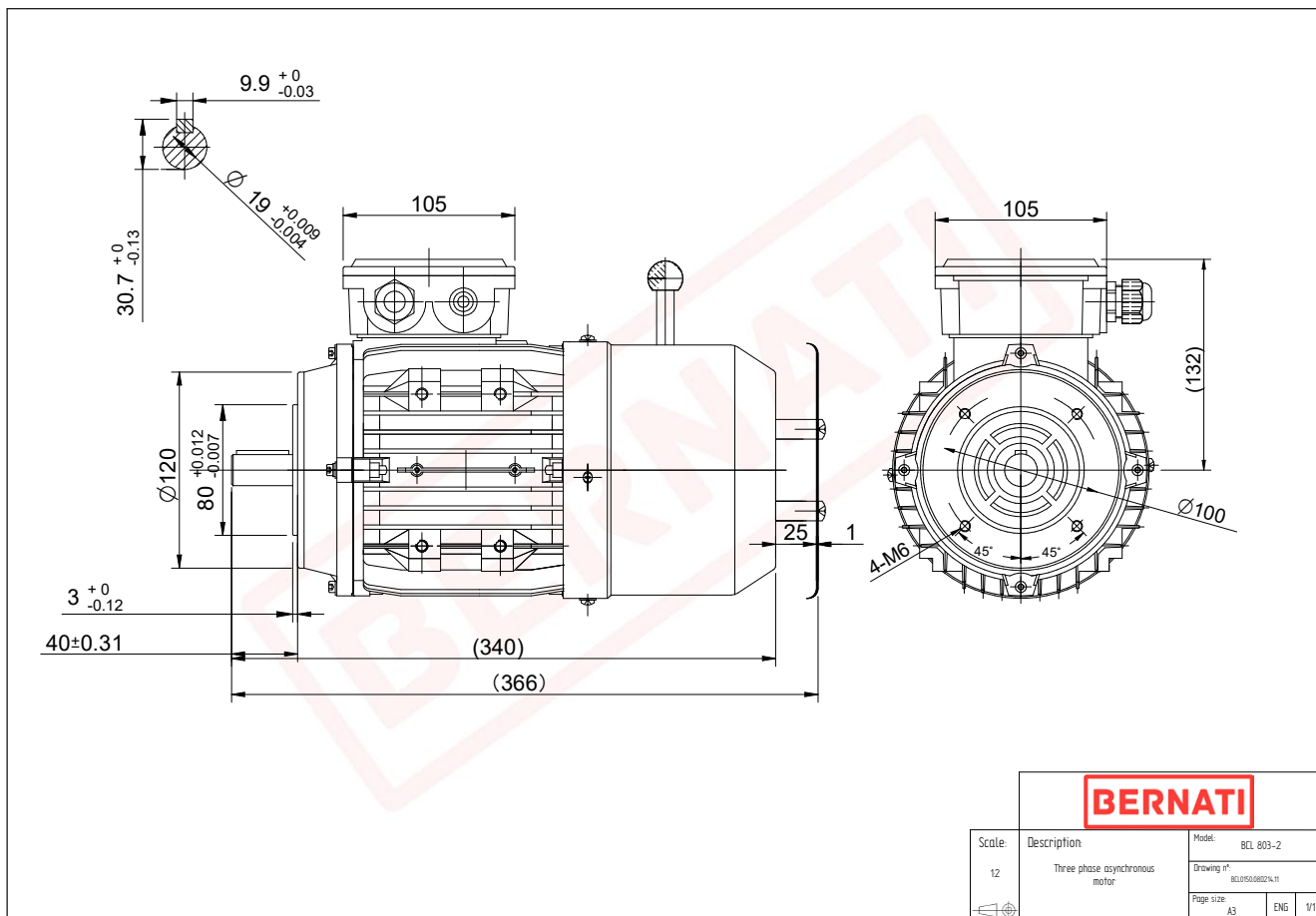


Technical Datasheet

BERNATI

BCL Series - Aluminum frame three phase low voltage electric motor



BCL

Product Code	BCL0150.08D214.11
Motor Type/Frame	BCL 803-2
Mounting	IM B14
Output Power (kW)	1.50
Speed (rpm)	2820
Tension (V)	230/400
Frequency (Hz)	50
Current (A)	3.10
Power factor (Cos Ø)	0.90
Poles	2
Insulation Class	F
IP Class	IP55
50% Efficiency	81.3
75% Efficiency	82.5
100% Efficiency	81.2
Tstart / Tnominal	3.20
Istart / Inominal	7.20
Tmax / Tnominal	3.00
Noise (dB)	70
PTC Thermistor	N/A
Weight (Kg)	13
DE Bearing	6204 2RZ C3
NDE Bearing	6204 2RZ C3