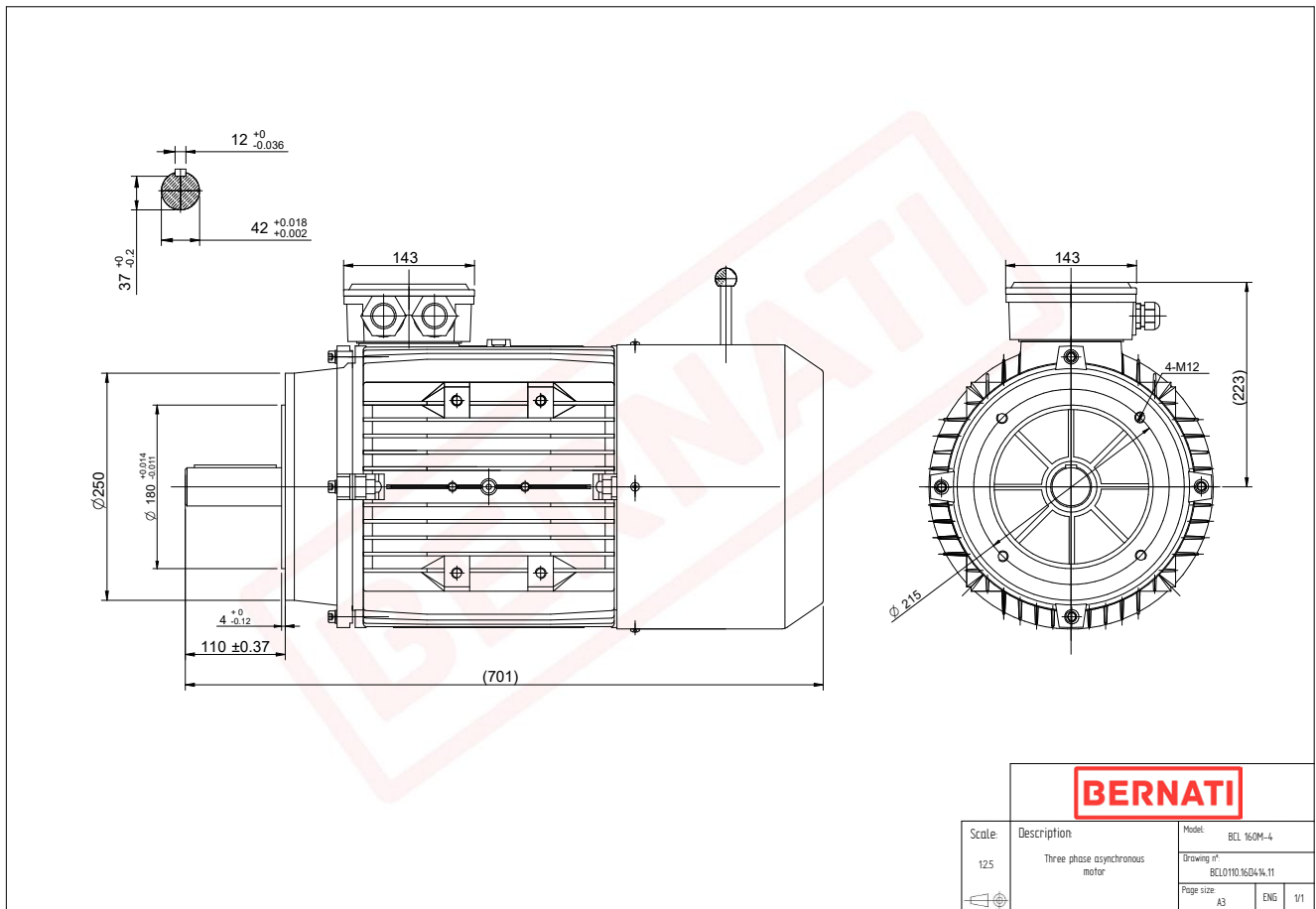


# Technical Datasheet

**BERNATI**

BCL Series - Aluminum frame three phase low voltage electric motor



## BCL

Product Code	BCL0110.16D414.11
Motor Type/Frame	BCL 160M-4
Mounting	IM B14
Output Power (kW)	11.00
Speed (rpm)	1450
Tension (V)	230/400
Frequency (Hz)	50
Current (A)	21.80
Power factor (Cos Ø)	0.80
Poles	4
Insulation Class	F
IP Class	IP55
50% Efficiency	90.3
75% Efficiency	89.6
100% Efficiency	87.7
Tstart / Tnominal	2.10
Istart / Inominal	6.10
Tmax / Tnominal	2.30
Noise (dB)	75
PTC Thermistor	N/A
Weight (Kg)	73
DE Bearing	6309 2RZ C3
NDE Bearing	6209 2RZ C3