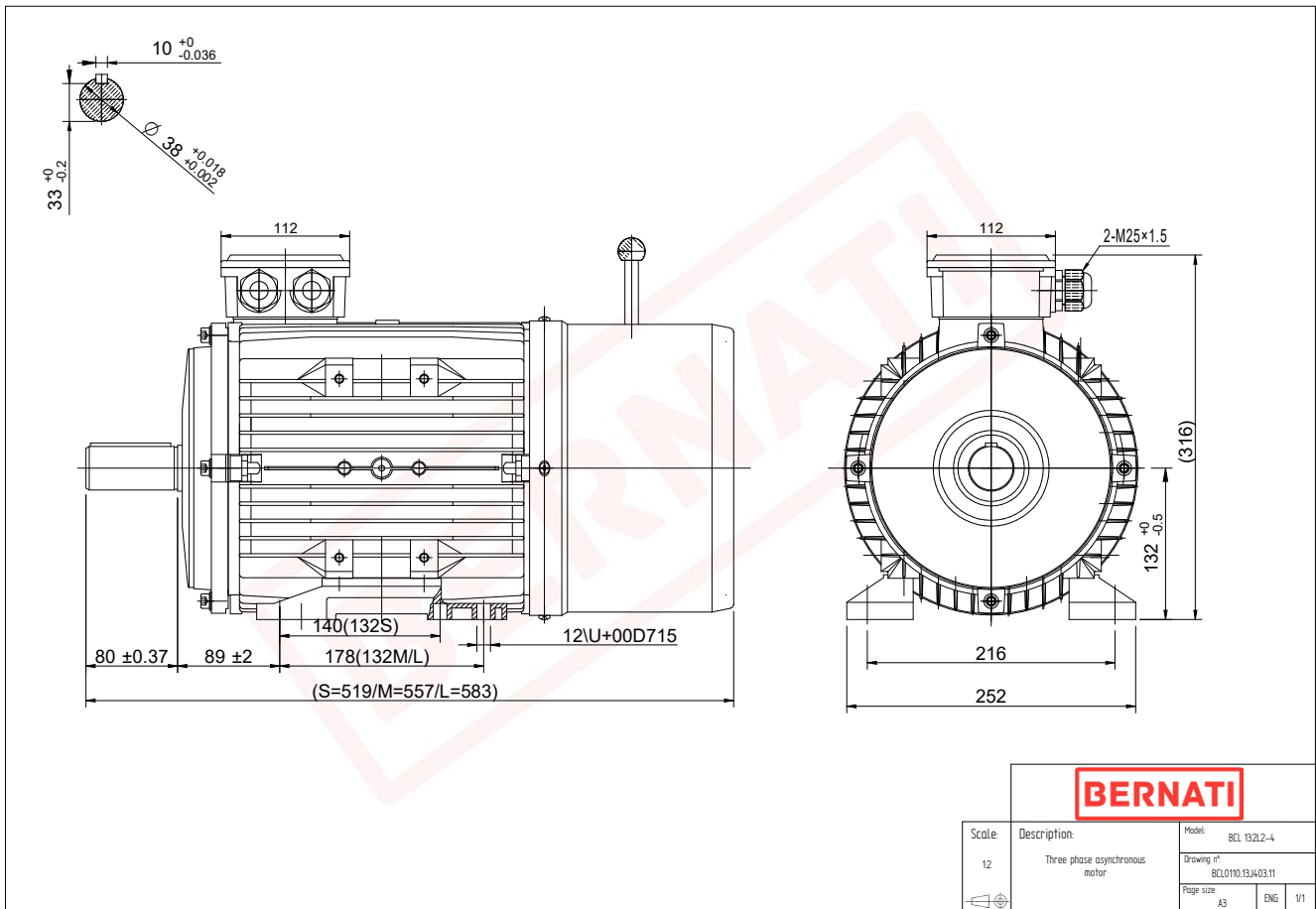


Technical Datasheet

BERNATI

BCL Series - Aluminum frame three phase low voltage electric motor



BCL

Product Code	BCL0110.13J403.11
Motor Type/Frame	BCL 132L2-4
Mounting	IM B3
Output Power (kW)	11.00
Speed (rpm)	1450
Tension (V)	230/400
Frequency (Hz)	50
Current (A)	20.50
Power factor (Cos Ø)	0.90
Poles	4
Insulation Class	F
IP Class	IP55
50% Efficiency	91.0
75% Efficiency	91.1
100% Efficiency	90.1
Tstart / Tnominal	3.00
Istart / Inominal	8.90
Tmax / Tnominal	2.50
Noise (dB)	74
PTC Thermistor	N/A
Weight (Kg)	67
DE Bearing	6308 2RZ C3
NDE Bearing	6208 2RZ C3