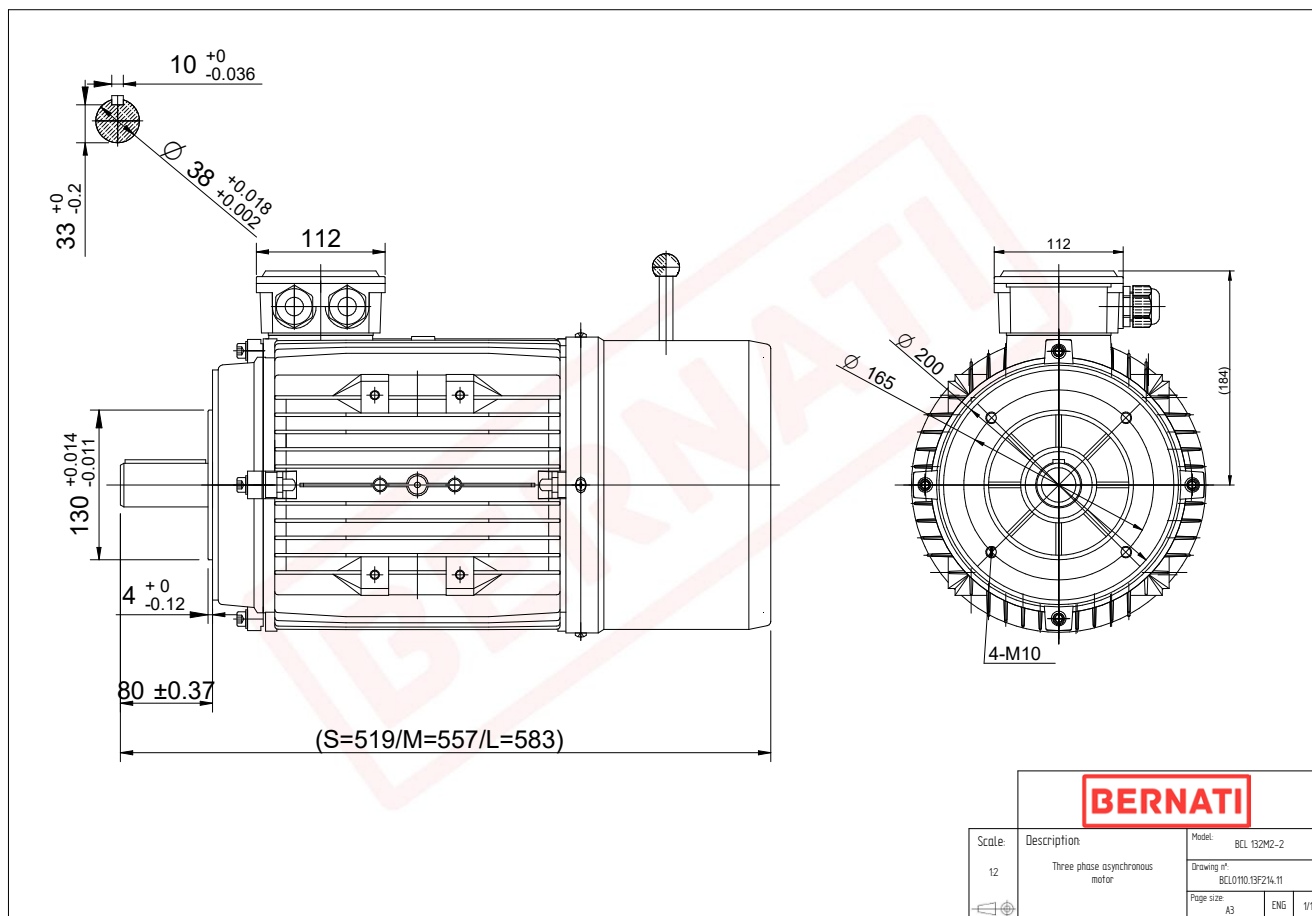


# Technical Datasheet

**BERNATI**

BCL Series - Aluminum frame three phase low voltage electric motor



## BCL

Product Code	BCL0110.13F214.11
Motor Type/Frame	BCL 132M2-2
Mounting	IM B14
Output Power (kW)	11.00
Speed (rpm)	2930
Tension (V)	230/400
Frequency (Hz)	50
Current (A)	20.00
Power factor (Cos Ø)	0.90
Poles	2
Insulation Class	F
IP Class	IP55
50% Efficiency	87.5
75% Efficiency	88.6
100% Efficiency	88.4
Tstart / Tnominal	2.00
Istart / Inominal	7.50
Tmax / Tnominal	2.20
Noise (dB)	83
PTC Thermistor	N/A
Weight (Kg)	69
DE Bearing	6308 2RZ C3
NDE Bearing	6208 2RZ C3