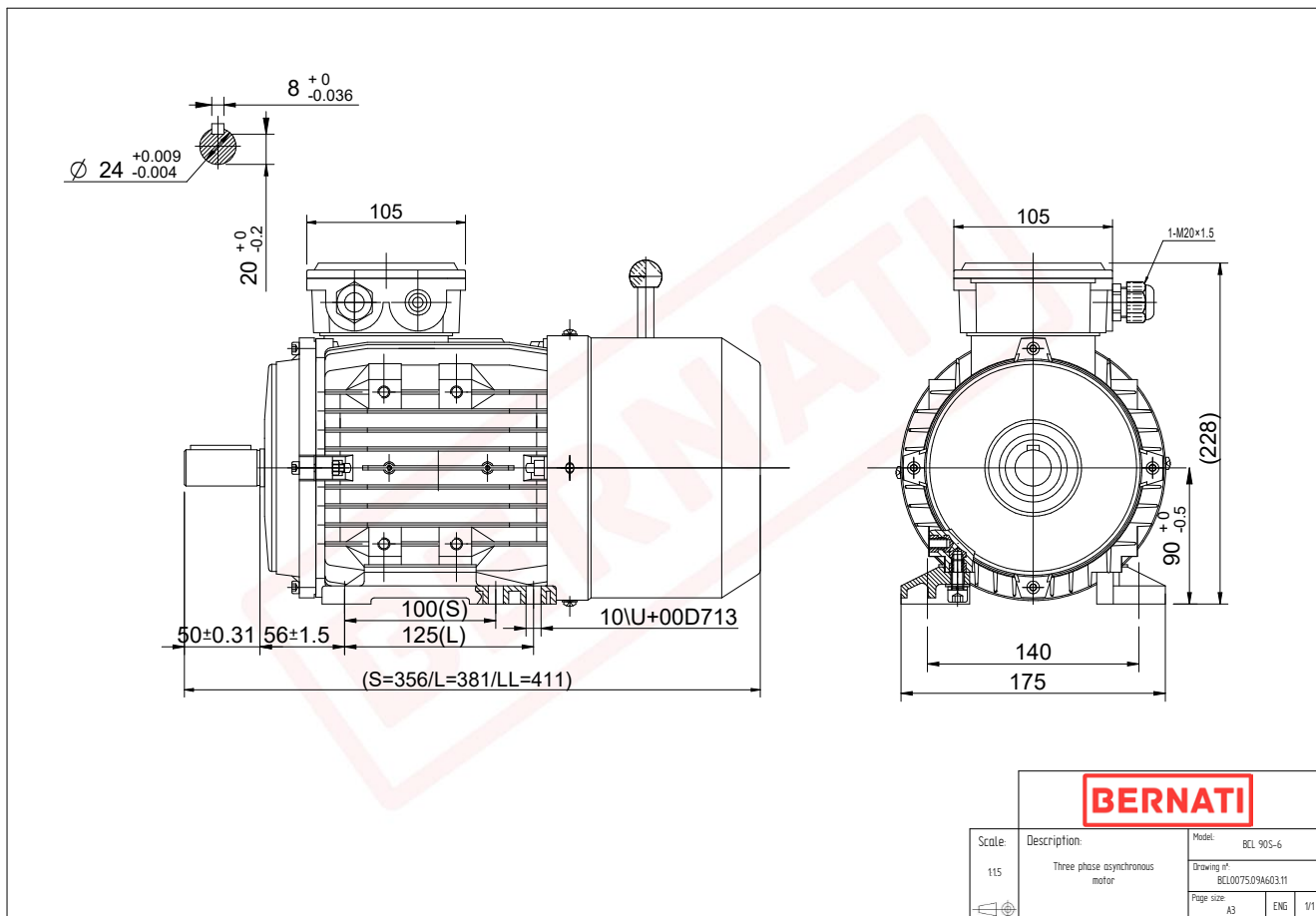


Technical Datasheet

BERNATI

BCL Series - Aluminum frame three phase low voltage electric motor



BCL

Product Code	BCL0075.09A603.11
Motor Type/Frame	BCL 90S-6
Mounting	IM B3
Output Power (kW)	0.75
Speed (rpm)	920
Tension (V)	230/400
Frequency (Hz)	50
Current (A)	2.10
Power factor (Cos Ø)	0.70
Poles	6
Insulation Class	F
IP Class	IP55
50% Efficiency	70.0
75% Efficiency	73.3
100% Efficiency	72.5
Tstart / Tnominal	1.80
Istart / Inominal	4.10
Tmax / Tnominal	2.20
Noise (dB)	59
PTC Thermistor	N/A
Weight (Kg)	14
DE Bearing	6205 2RZ C3
NDE Bearing	6205 2RZ C3