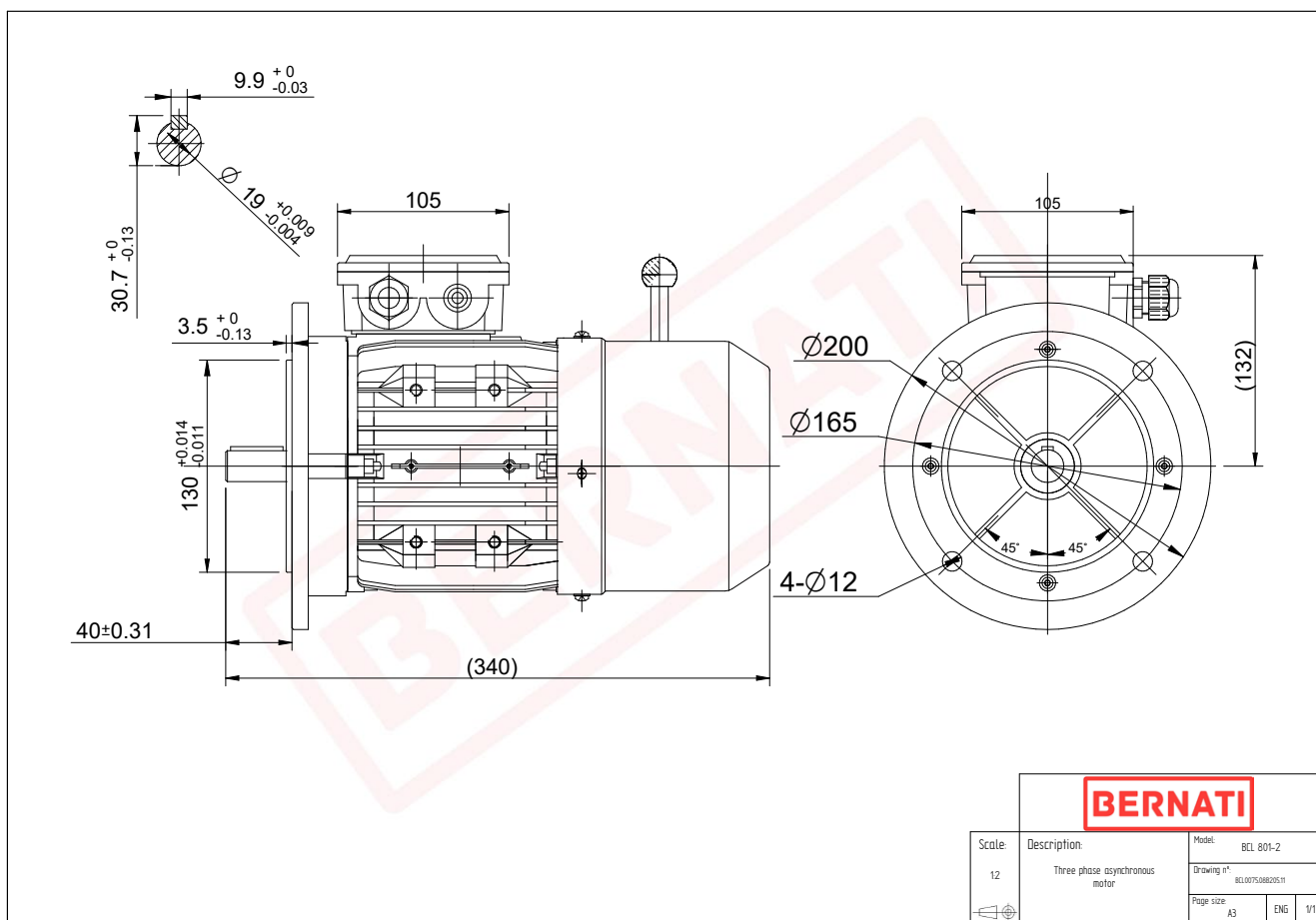


Technical Datasheet

BERNATI

BCL Series - Aluminum frame three phase low voltage electric motor



BCL

Product Code	BCL0075.08B205.11
Motor Type/Frame	BCL 801-2
Mounting	IM B5
Output Power (kW)	0.75
Speed (rpm)	2830
Tension (V)	230/400
Frequency (Hz)	50
Current (A)	1.70
Power factor (Cos Ø)	0.80
Poles	2
Insulation Class	F
IP Class	IP55
50% Efficiency	72.2
75% Efficiency	75.6
100% Efficiency	75.2
Tstart / Tnominal	3.00
Istart / Inominal	6.20
Tmax / Tnominal	2.80
Noise (dB)	67
PTC Thermistor	N/A
Weight (Kg)	11
DE Bearing	6204 2RZ C3
NDE Bearing	6204 2RZ C3