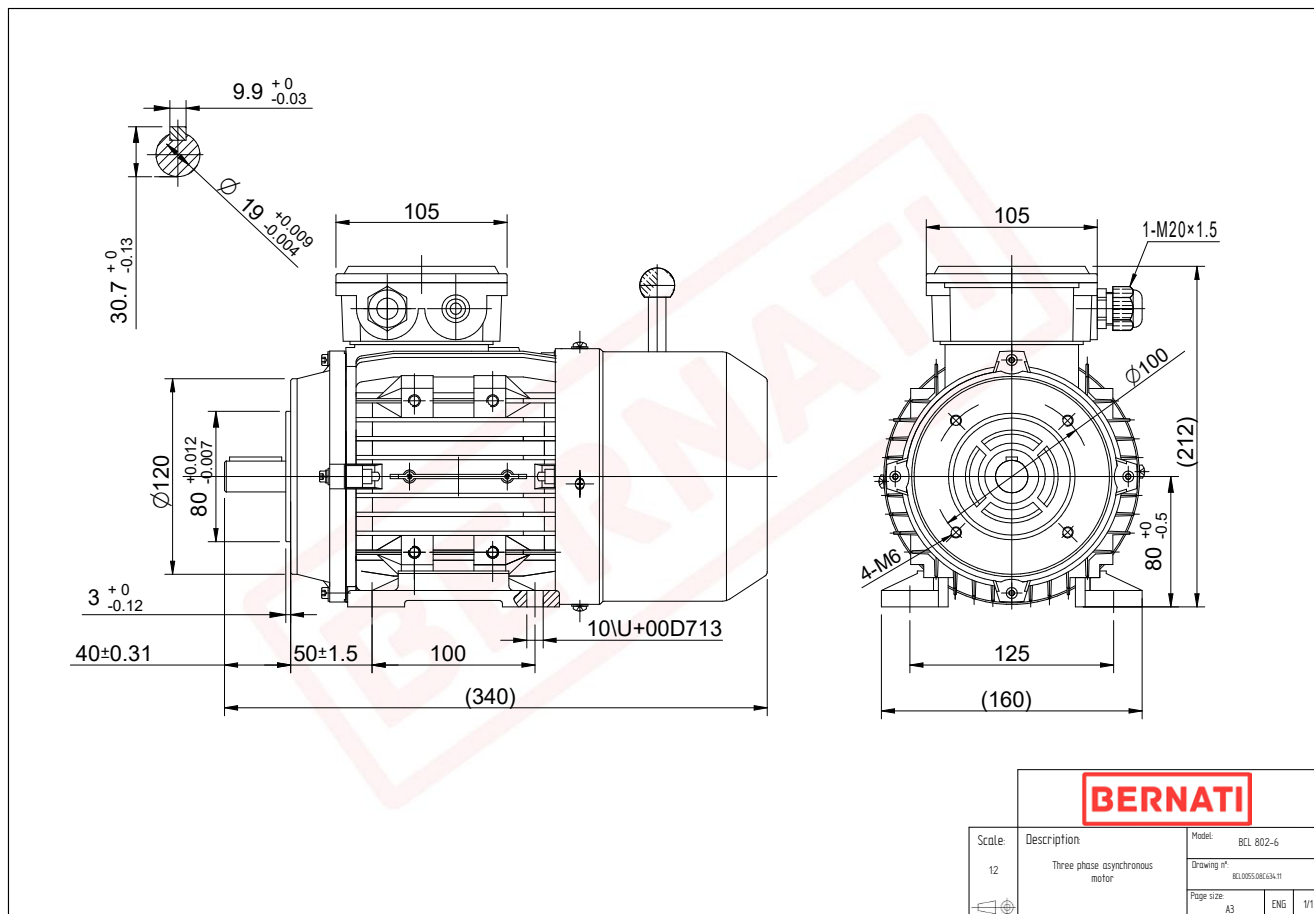


Technical Datasheet

BERNATI

BCL Series - Aluminum frame three phase low voltage electric motor



BCL

Product Code	BCL0055.08C634.11
Motor Type/Frame	BCL 802-6
Mounting	IM B3/B14
Output Power (kW)	0.55
Speed (rpm)	920
Tension (V)	230/400
Frequency (Hz)	50
Current (A)	1.50
Power factor (Cos Ø)	0.70
Poles	6
Insulation Class	F
IP Class	IP55
50% Efficiency	69.3
75% Efficiency	73.0
100% Efficiency	72.5
Tstart / Tnominal	2.30
Istart / Inominal	4.30
Tmax / Tnominal	2.50
Noise (dB)	56
PTC Thermistor	N/A
Weight (Kg)	11
DE Bearing	6204 2RZ C3
NDE Bearing	6204 2RZ C3