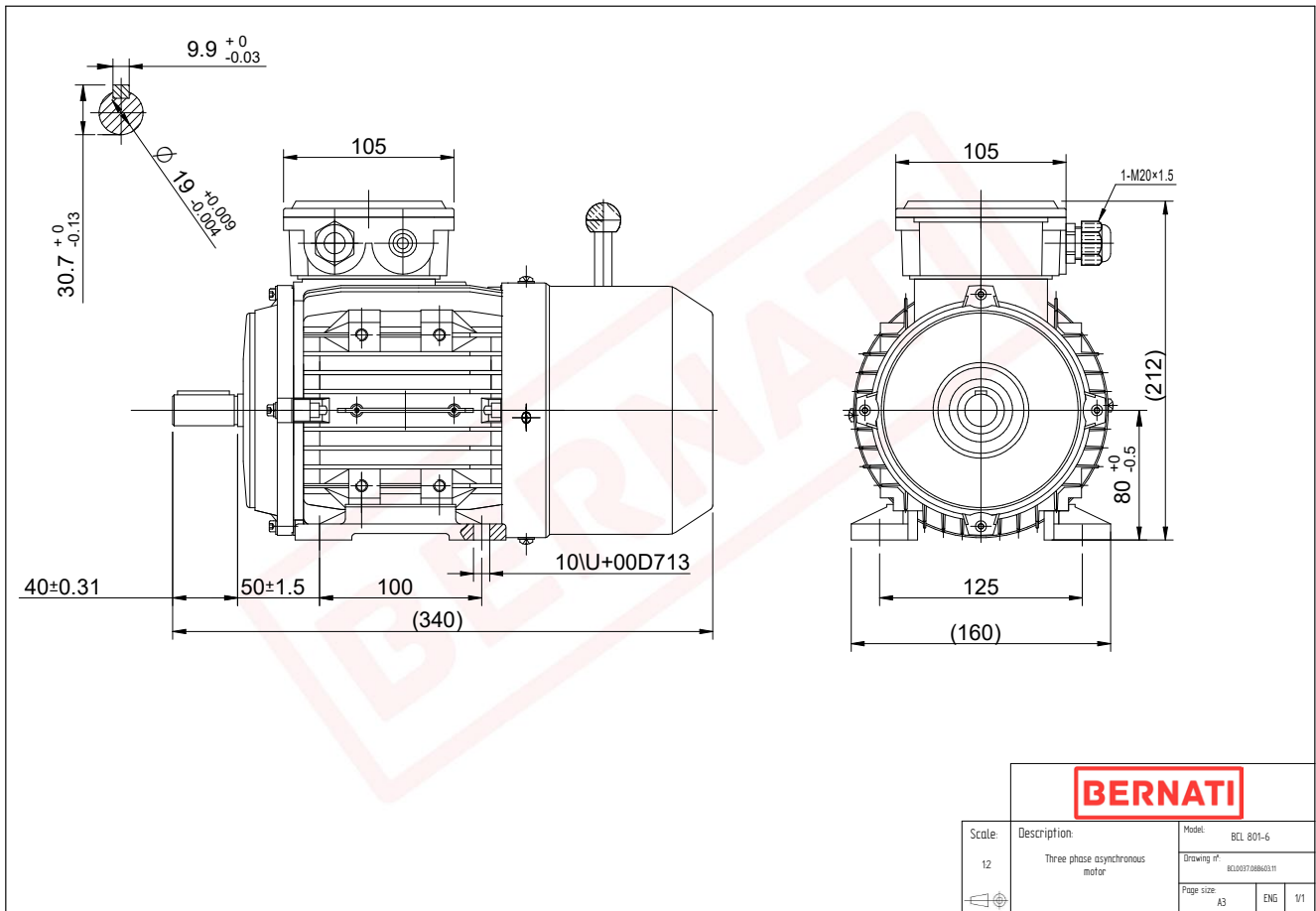


Technical Datasheet



BCL Series - Aluminum frame three phase low voltage electric motor



BCL

Product Code	BCL0037.08B603.11
Motor Type/Frame	BCL 801-6
Mounting	IM B3
Output Power (kW)	0.37
Speed (rpm)	920
Tension (V)	230/400
Frequency (Hz)	50
Current (A)	1.10
Power factor (Cos Ø)	0.70
Poles	6
Insulation Class	F
IP Class	IP55
50% Efficiency	62.2
75% Efficiency	67.7
100% Efficiency	68.1
Tstart / Tnominal	2.00
Istart / Inominal	3.70
Tmax / Tnominal	2.30
Noise (dB)	56
PTC Thermistor	N/A
Weight (Kg)	10
DE Bearing	6204 2RZ C3
NDE Bearing	6204 2RZ C3