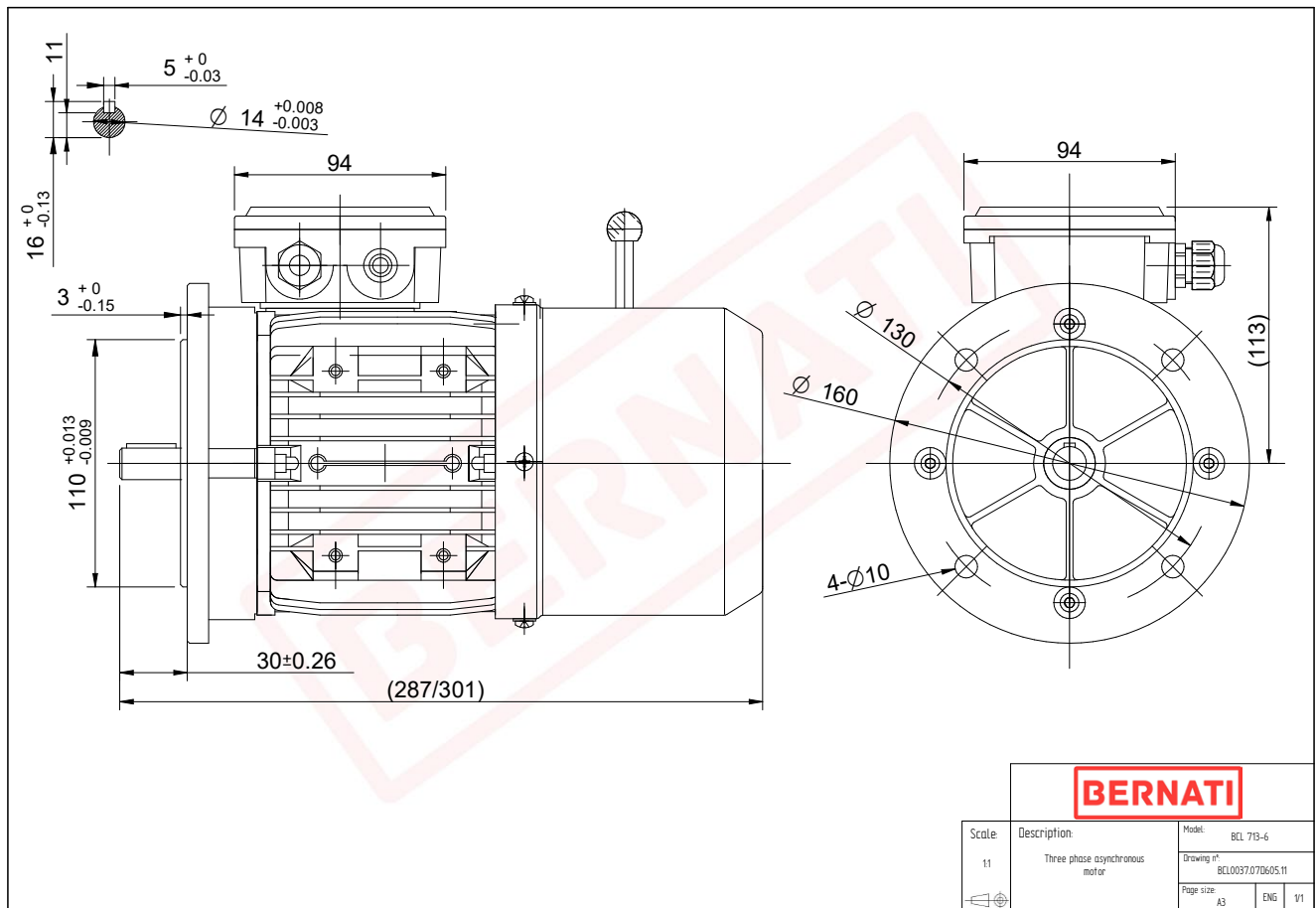


# Technical Datasheet

**BERNATI**

## BCL Series - Aluminum frame three phase low voltage electric motor



### BCL

Product Code	BCL0037.07D605.11
Motor Type/Frame	BCL 713-6
Mounting	IM B5
Output Power (kW)	0.37
Speed (rpm)	890
Tension (V)	230/400
Frequency (Hz)	50
Current (A)	1.30
Power factor (Cos Ø)	0.60
Poles	6
Insulation Class	F
IP Class	IP55
50% Efficiency	58.2
75% Efficiency	64.4
100% Efficiency	65.4
Tstart / Tnominal	2.30
Istart / Inominal	3.40
Tmax / Tnominal	2.50
Noise (dB)	54
PTC Thermistor	N/A
Weight (Kg)	8
DE Bearing	6202 2RZ C3
NDE Bearing	6202 2RZ C3