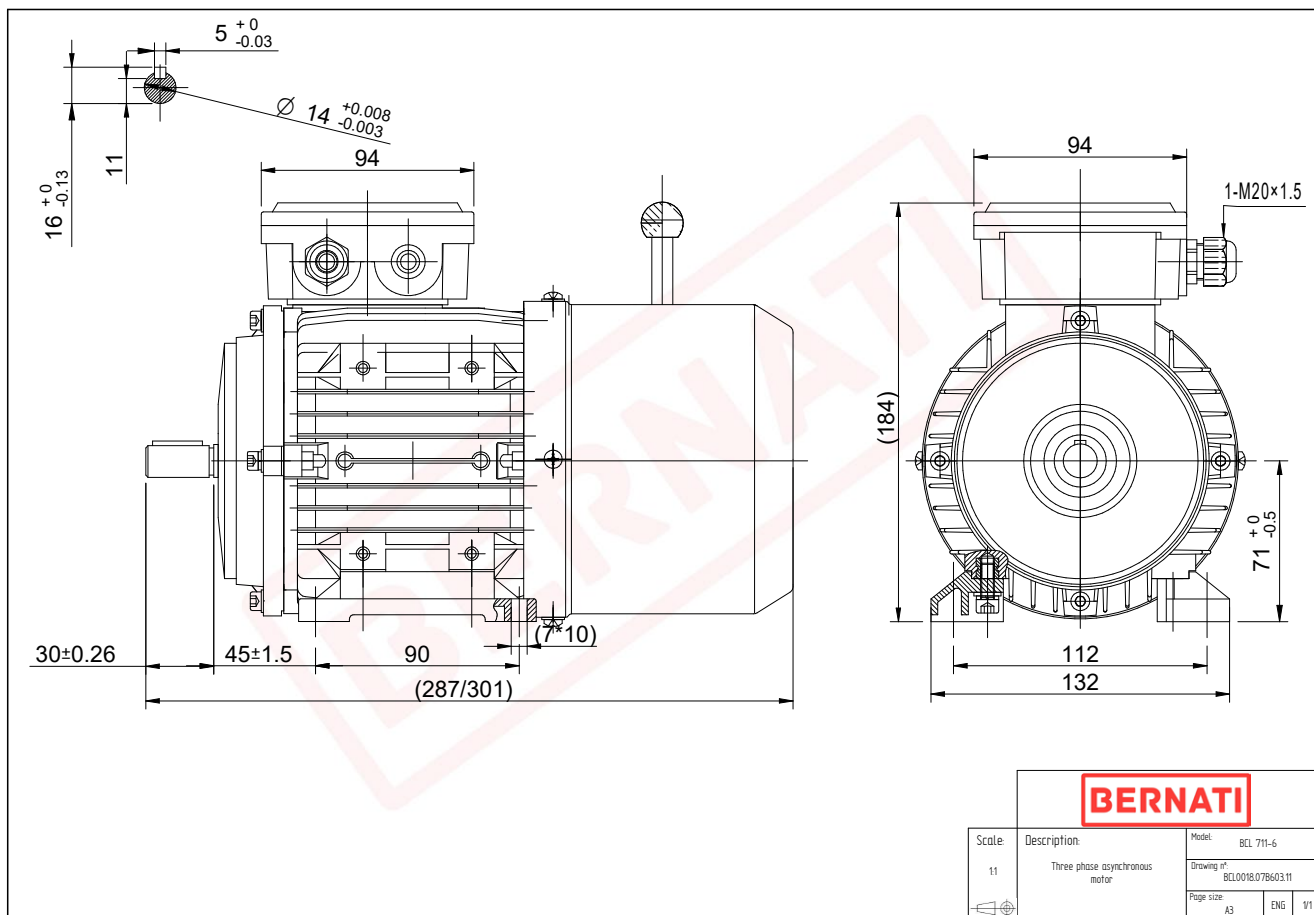


# Technical Datasheet

**BERNATI**

BCL Series - Aluminum frame three phase low voltage electric motor



## BCL

Product Code	BCL0018.07B603.11
Motor Type/Frame	BCL 711-6
Mounting	IM B3
Output Power (kW)	0.18
Speed (rpm)	905
Tension (V)	230/400
Frequency (Hz)	50
Current (A)	0.60
Power factor (Cos Ø)	0.70
Poles	6
Insulation Class	F
IP Class	IP55
50% Efficiency	55.4
75% Efficiency	61.6
100% Efficiency	63.0
Tstart / Tnominal	2.20
Istart / Inominal	3.50
Tmax / Tnominal	2.20
Noise (dB)	52
PTC Thermistor	N/A
Weight (Kg)	7
DE Bearing	6202 2RZ C3
NDE Bearing	6202 2RZ C3