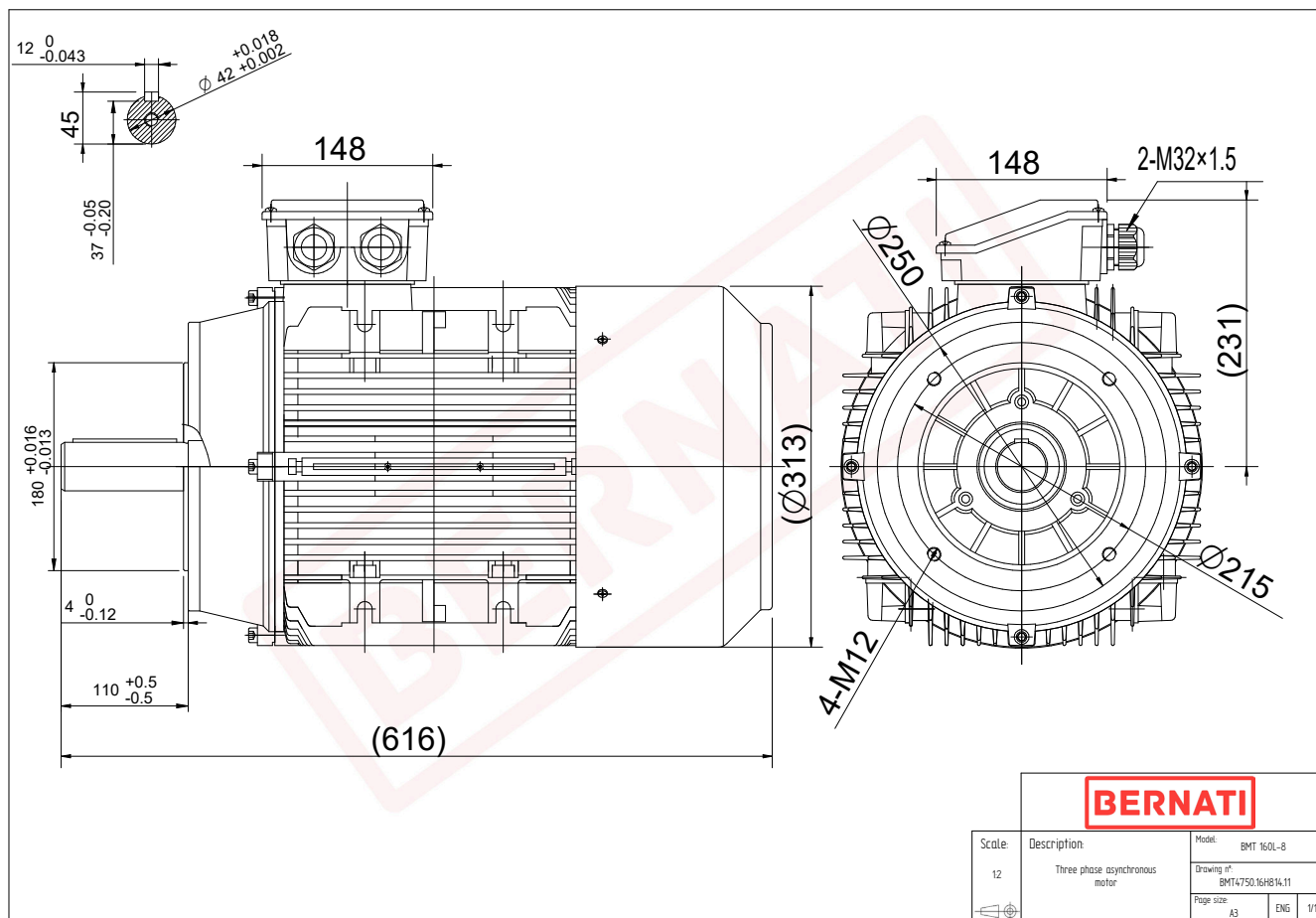


BMT Series - Aluminum frame three phase low voltage electric motor



BMT	
Product Code	BMT4750.16H814.11
Motor Type/Frame	BMT 160L-8
Mounting	IM B14
Efficiency Class	IE4
Output Power (kW)	7.50
Speed (rpm)	725
Tension (V)	230/400
Frequency (Hz)	50
Current (A)	17.10
Power factor (Cos Ø)	0.70
Poles	8
Insulation Class	F
IP Class	IP55
50% Efficiency	89.0
75% Efficiency	89.7
100% Efficiency	89.3
Torque (Nm)	102.90
Tstart / Tnominal	2.50
Istart / Inominal	6.60
Tmax / Tnominal	1.60
Noise (dB)	68
PTC Thermistor	PTC 130
Weight (Kg)	116
DE Bearing	6309 2RZ C3
NDE Bearing	6209 2RZ C3