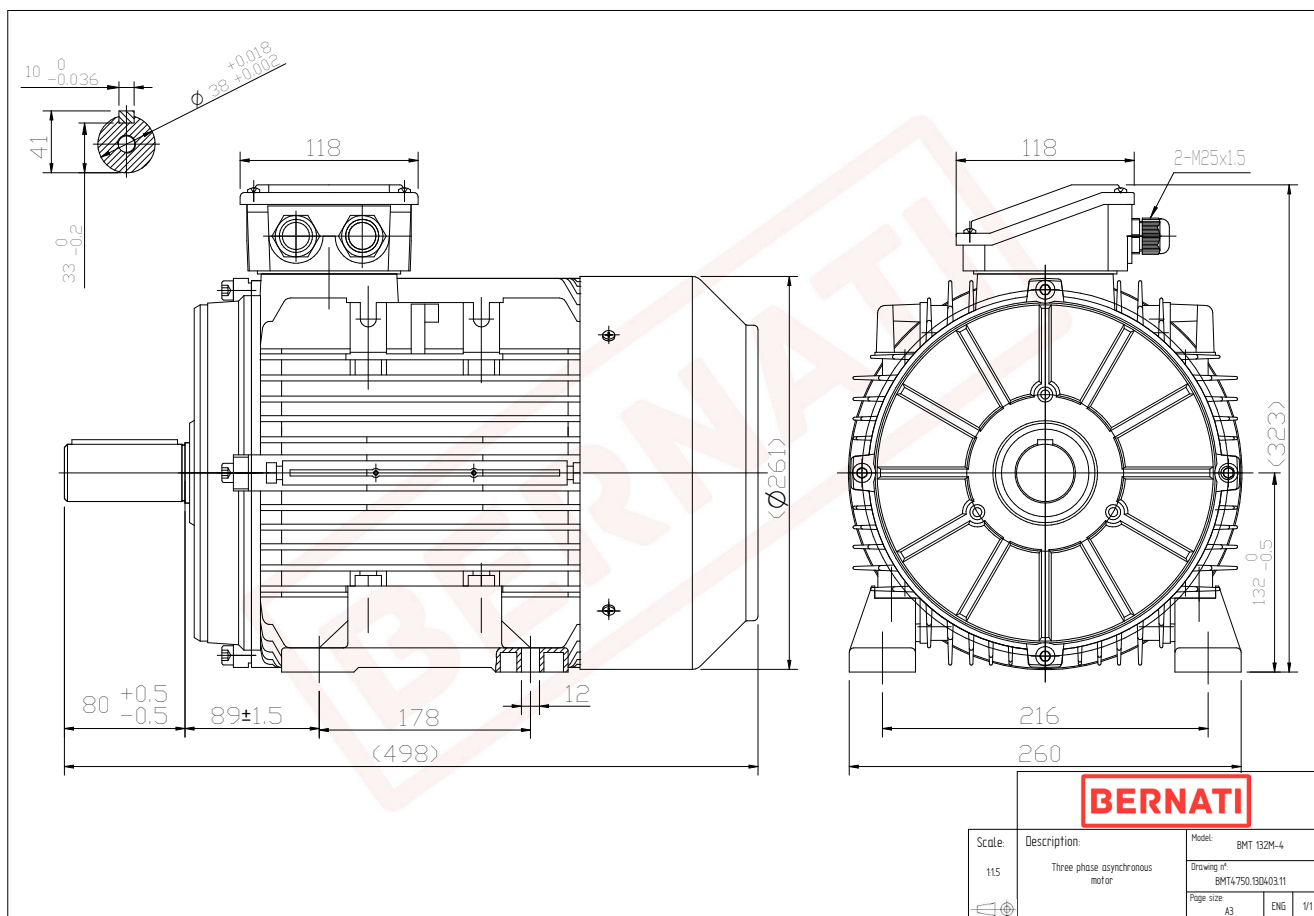


Technical Datasheet

BERNATI

BMT Series - Aluminum frame three phase low voltage electric motor



| BMT | |
|----------------------|-------------------|
| Product Code | BMT4750.13D403.11 |
| Motor Type/Frame | BMT 132M-4 |
| Mounting | IM B3 |
| Efficiency Class | IE4 |
| Output Power (kW) | 7.50 |
| Speed (rpm) | 1470 |
| Tension (V) | 230/400 |
| Frequency (Hz) | 50 |
| Current (A) | 13.90 |
| Power factor (Cos Ø) | 0.80 |
| Poles | 4 |
| Insulation Class | F |
| IP Class | IP55 |
| 50% Efficiency | 92.2 |
| 75% Efficiency | 92.8 |
| 100% Efficiency | 92.6 |
| Torque (Nm) | 50.80 |
| Tstart / Tnominal | 4.40 |
| Istart / Inominal | 10.20 |
| Tmax / Tnominal | 2.20 |
| Noise (dB) | 71 |
| PTC Thermistor | PTC 130 |
| Weight (Kg) | 74 |
| DE Bearing | 6308 2RZ C3 |
| NDE Bearing | 6208 2RZ C3 |