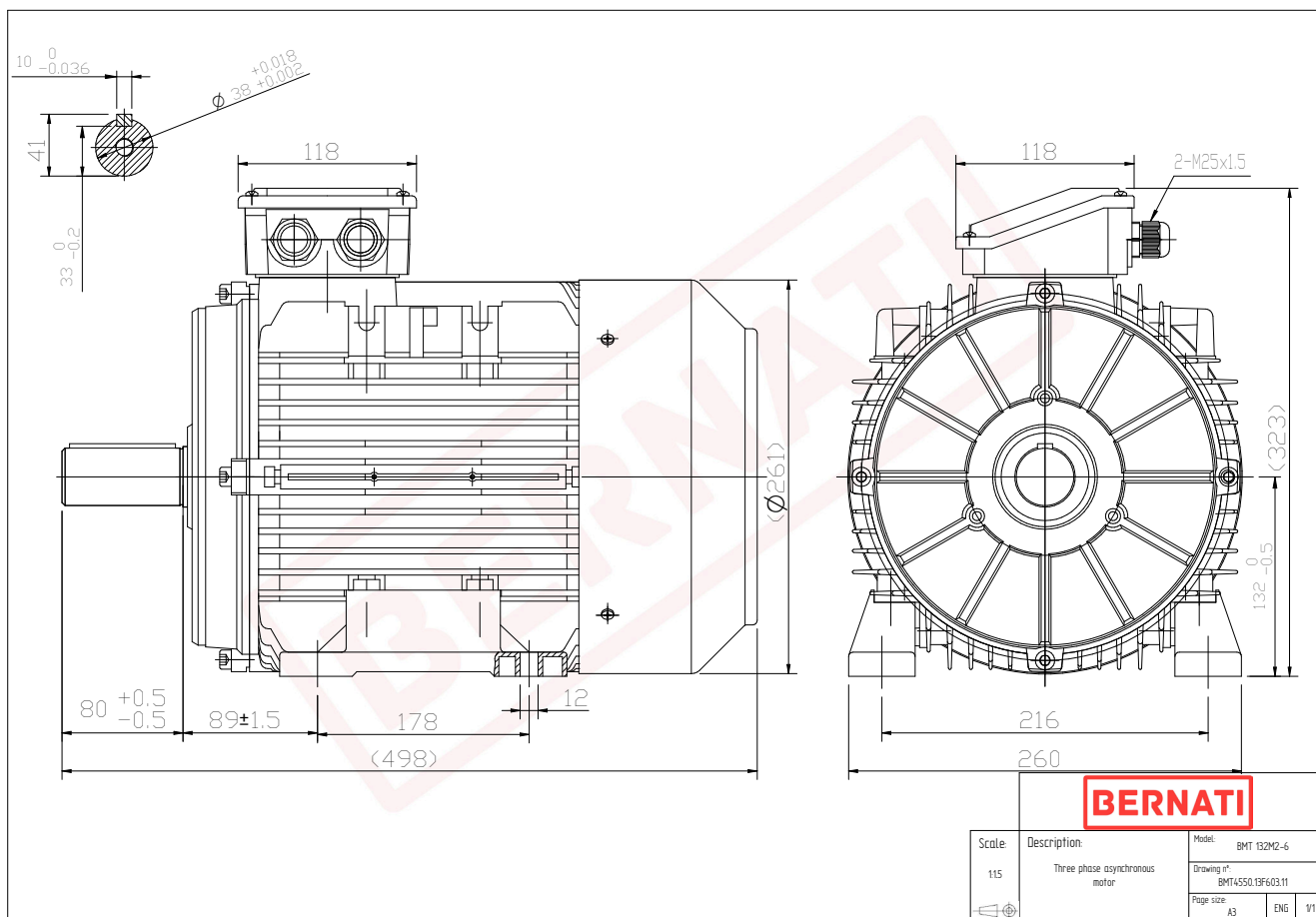


# Technical Datasheet

**BERNATI**

BMT Series - Aluminum frame three phase low voltage electric motor



<b>BMT</b>	
Product Code	BMT4550.13F603.11
Motor Type/Frame	BMT 132M2-6
Mounting	IM B3
Efficiency Class	IE4
Output Power (kW)	5.50
Speed (rpm)	975
Tension (V)	230/400
Frequency (Hz)	50
Current (A)	11.70
Power factor (Cos Ø)	0.80
Poles	6
Insulation Class	F
IP Class	IP55
50% Efficiency	89.7
75% Efficiency	90.7
100% Efficiency	90.5
Torque (Nm)	56.10
Tstart / Tnominal	3.30
Istart / Inominal	8.20
Tmax / Tnominal	1.80
Noise (dB)	68
PTC Thermistor	PTC 130
Weight (Kg)	68
DE Bearing	6308 2RZ C3
NDE Bearing	6208 2RZ C3