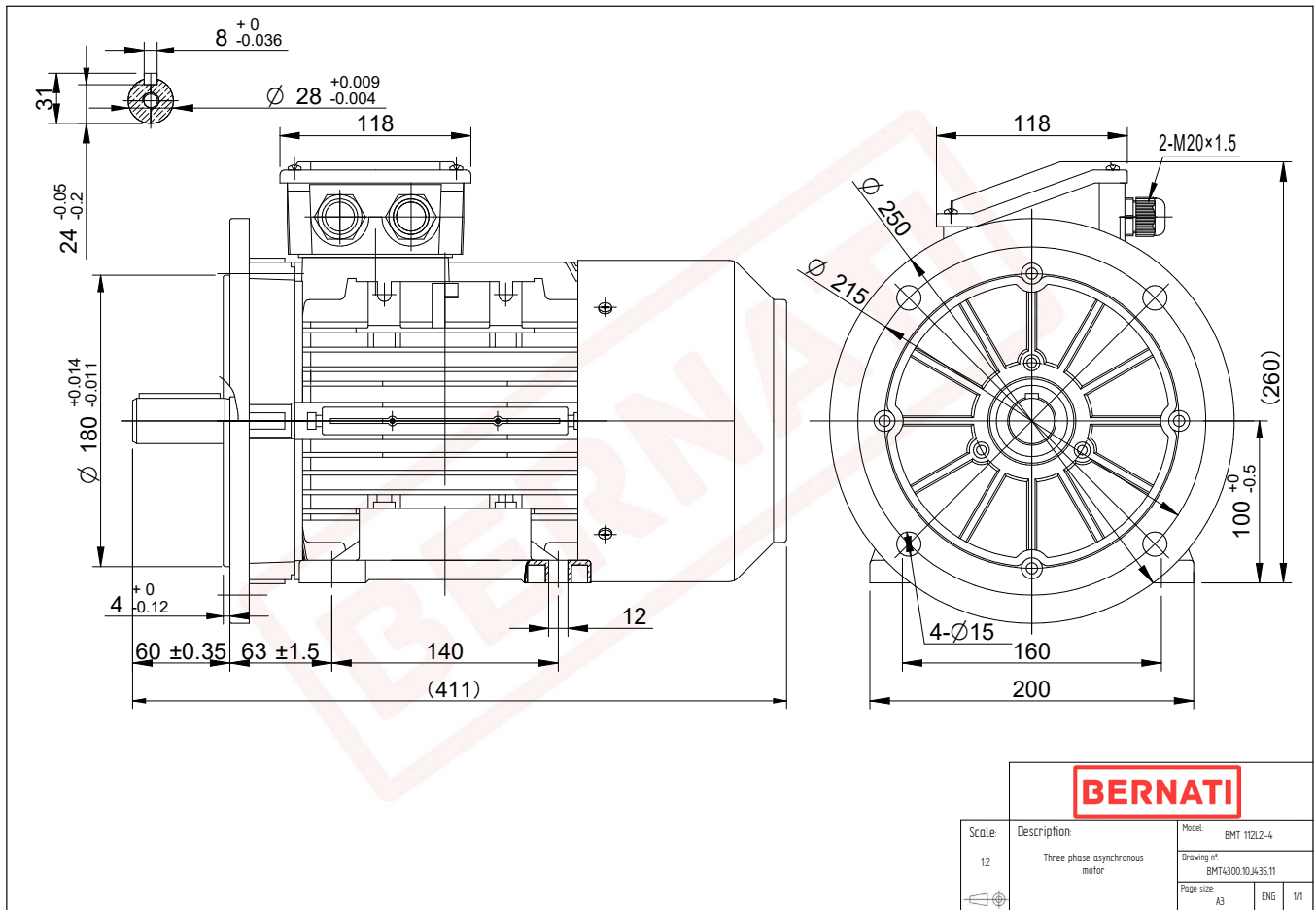


Technical Datasheet

BERNATI

BMT Series - Aluminum frame three phase low voltage electric motor



BMT	
Product Code	BMT4300.10J435.11
Motor Type/Frame	BMT 100L2-4x
Mounting	IM B3/B5
Efficiency Class	IE4
Output Power (kW)	3.00
Speed (rpm)	1460
Tension (V)	230/400
Frequency (Hz)	50
Current (A)	6.40
Power factor (Cos Ø)	0.80
Poles	4
Insulation Class	F
IP Class	IP55
50% Efficiency	88.1
75% Efficiency	89.7
100% Efficiency	90.4
Torque (Nm)	20.50
Tstart / Tnominal	3.80
Istart / Inominal	9.50
Tmax / Tnominal	3.40
Noise (dB)	64
PTC Thermistor	PTC 130
Weight (Kg)	33
DE Bearing	6206 2RZ C3
NDE Bearing	6206 2RZ C3