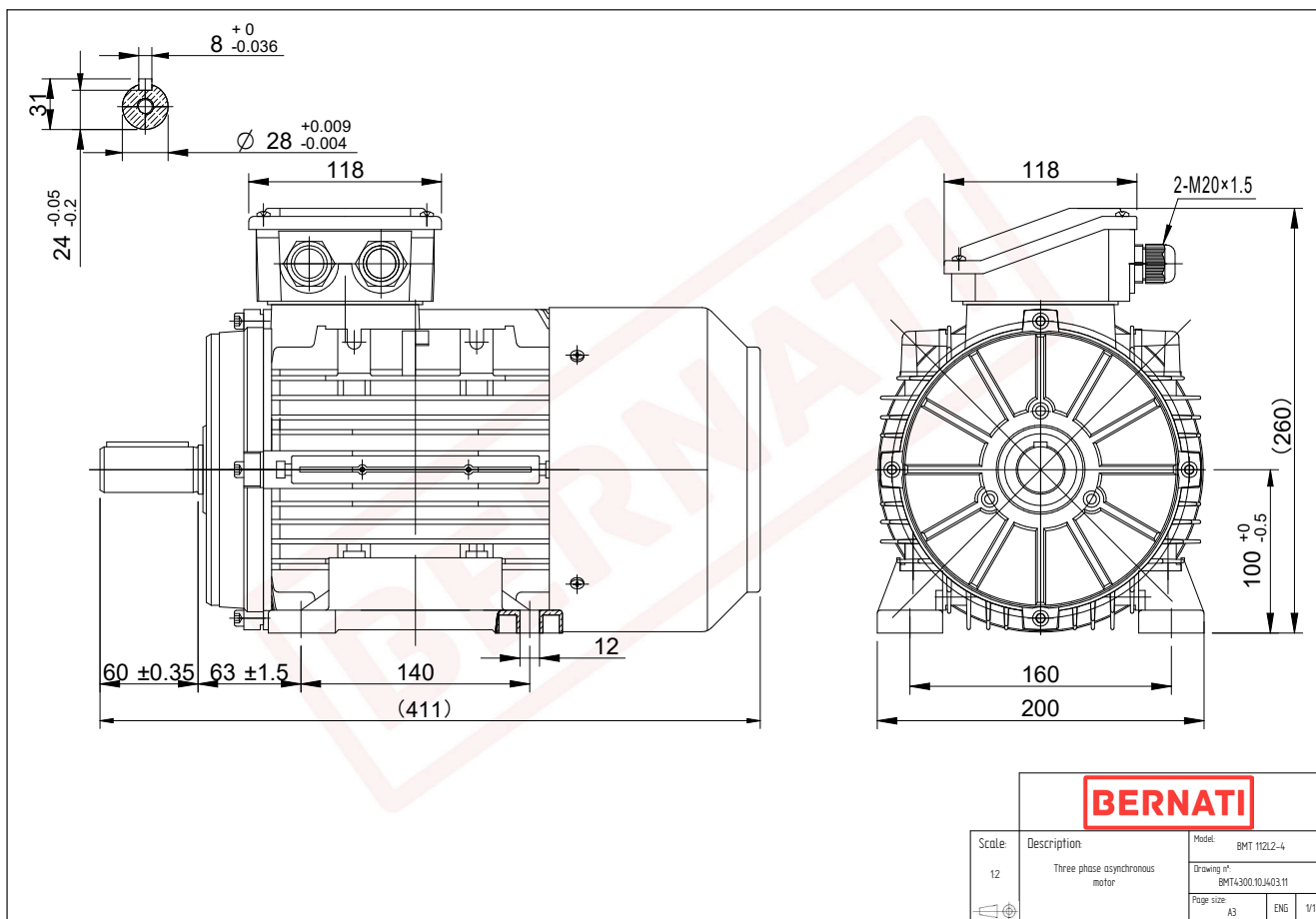


Technical Datasheet

BERNATI

BMT Series - Aluminum frame three phase low voltage electric motor



| BMT | |
|----------------------|-------------------|
| Product Code | BMT4300.10J403.11 |
| Motor Type/Frame | BMT 100L2-4x |
| Mounting | IM B3 |
| Efficiency Class | IE4 |
| Output Power (kW) | 3.00 |
| Speed (rpm) | 1460 |
| Tension (V) | 230/400 |
| Frequency (Hz) | 50 |
| Current (A) | 6.40 |
| Power factor (Cos Ø) | 0.80 |
| Poles | 4 |
| Insulation Class | F |
| IP Class | IP55 |
| 50% Efficiency | 88.1 |
| 75% Efficiency | 89.7 |
| 100% Efficiency | 90.4 |
| Torque (Nm) | 20.50 |
| Tstart / Tnominal | 3.80 |
| Istart / Inominal | 9.50 |
| Tmax / Tnominal | 3.40 |
| Noise (dB) | 64 |
| PTC Thermistor | PTC 130 |
| Weight (Kg) | 33 |
| DE Bearing | 6206 2RZ C3 |
| NDE Bearing | 6206 2RZ C3 |