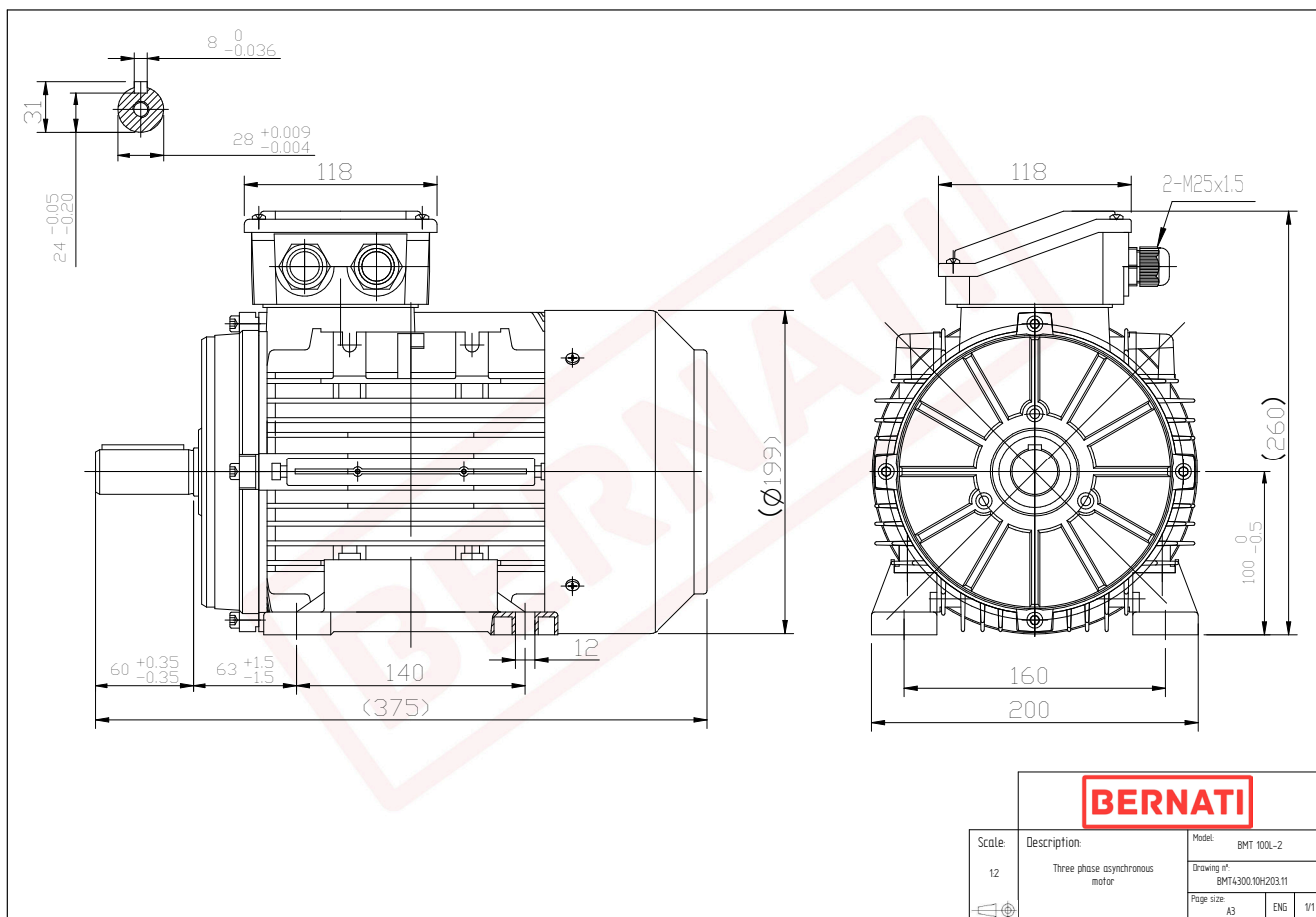


Technical Datasheet

BERNATI

BMT Series - Aluminum frame three phase low voltage electric motor



BMT

Product Code	BMT4300.10H203.11
Motor Type/Frame	BMT 100L-2
Mounting	IM B3
Efficiency Class	IE4
Output Power (kW)	3.00
Speed (rpm)	2910
Tension (V)	230/400
Frequency (Hz)	50
Current (A)	5.40
Power factor (Cos Ø)	0.90
Poles	2
Insulation Class	F
IP Class	IP55
50% Efficiency	88.4
75% Efficiency	89.4
100% Efficiency	89.1
Torque (Nm)	10.30
T _{start} / T _{nominal}	3.70
I _{start} / I _{nominal}	11.00
T _{max} / T _{nominal}	2.90
Noise (dB)	76
PTC Thermistor	PTC 130
Weight (Kg)	28
DE Bearing	6206 2RZ C3
NDE Bearing	6206 2RZ C3